

1957

iq

LABS

**We don't just build
products, we build
relationships that create
better products.**

The iQ Story

Located in Byron Center, Michigan and originally founded in 1957 under the name Iroquois Industries, iQ Labs has been built on the tradition of innovation, performance and durability, which we manufacture into each of our products. The company has grown from primarily manufacturing fume hoods to now offering complete laboratory fit-out solutions.

With a comprehensive line of bench-top, floor mounted, and teaching fume hoods, including a wide selection of hood accessories, laboratory casework, epoxy and stainless-steel counter tops to blower motors, we can bring your next project to life. With a reputation for exceptional value, our products can be found in educational, industrial, pharmaceutical and government laboratories around the world.

We offer custom design, metal fabrication, assembly, quick-ship products and ready access to our knowledgeable staff at every phase of the project. You can expect our quality and timely delivery to satisfy the most complex project requirements.

The iQ Difference

Why should you work with iQ Labs? Well - there are many reasons to work with us and it is called the iQ Difference. You can count on us for all of the following to create innovative solutions for your modern laboratory needs:

- Engineering & Design Services
- Metal Casework, Bench and Table Systems, Fume Hoods, Accessories
- Custom Fabrication
- Manufactured in the USA
- 60+ Years of Mfg Experience
- Quick-ship Product Available
- Dedicated Sales & Service Team

We create solutions for the future, built on timeless values:

- Be Honest
- Deliver Quality
- Take care of your customer

Table of Contents

Infinity Bench	4 - 6
Accutech Table	7 - 9
Casework Overview and Numbering System	10 - 11
Base Cabinets - 35"	12 - 17
35" Fume Hood and Sink Base Cabinets	18 - 19
29" Base Cabinets	19 - 22
Mobile Base Cabinets	22
Corner Base Cabinets	23
Flammable Storage Cabinets	24
Acid Storage Cabinets	24
Counter-tops	25
Wall Cases	26 - 28
Wall Corner Cases	28
Floor Cases	29 - 30
Aprons	31
Knead Space Rails and Panels	32
Utility Tables	33 - 34
Filler Panels	34
Accessories	35 - 36
Fume Hoods	37
Bench-Top Fume Hoods Options	38
Fume Hood Series	39 - 44



INFINITY BENCH

The Infinity Bench System combines heavy duty construction, ruggedness, and high-quality materials, built into a flexible system that can be utilized over a broad range of use cases. Combining features such as electrical, data, and various shelving configurations into a single package, while still giving customers the ability to add plumbing and custom configurations based on their specific needs.

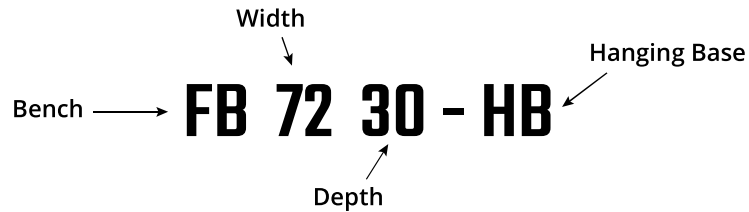
With the Infinity System being SEFA compliant and UL listed, it ensures customers receive the highest quality laboratory bench system that is able to stand up to the day-to-day rigors of any laboratory setting.

With single and double-sided shared frame configurations, the Infinity Bench gives you the ability to customize any space, big or small, and maximize its usability while giving you solutions that fit within almost any budget. Our system is engineered to be adaptable and give customers the ability to reconfigure their spaces, plug-and-play accessories, add or remove benches, all while fitting within the constraints of unique spaces.



INFINITY BENCH NUMBERING SYSTEM

iQ Labs Infinity Bench system uses a simple base structure part numbering scheme showing width, depth and hanging base cabinet accessory package. Additional features such as plumbing services are added as needed to quote and orders based on customer needs.



Number Code•

1st Two Letters = Type of Product
1st Number = Width
2nd Number = Depth

Letter Code•

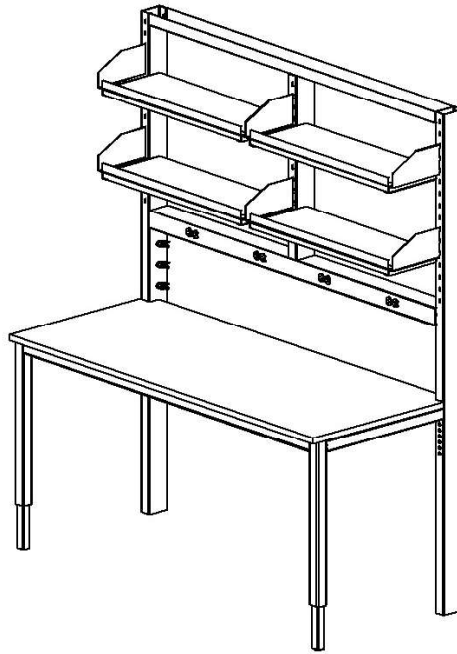
HB = Hanging Base Cabinet
FB = Flexible Bench/Infinity Bench
G = Glides
C = Casters



Product Specifications

- 14ga Steel Tube Construction
- Up to 3 plumbing fixtures per side with integrated electrical and data outlets.
- Standard 4 duplex receptacle outlets on single circuit. Multiple circuit wiring available.
- Knocked down construction with easy two part assembly.
- Chemically resistant epoxy powder coat.
- Accessory options include: hanging base cabinets, modesty panels, lower shelf units.
- SEFA Compliant & UL Listed.

INFINITY BENCH



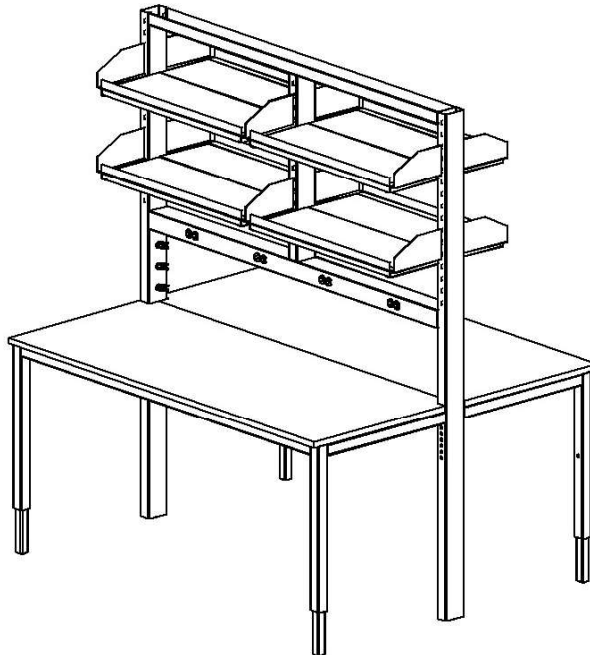
FB4830G
FB4830C

FB6030G
FB6030C

FB7230G
FB7230C

FB8430G
FB8430C

FB9630G
FB9630C



FBSF4830G
FBSF4830C

FBSF6030G
FBSF6030C

FBSF7230G
FBSF7230C

FBSF8430G
FBSF8430C

FBSF9630G
FBSF9630C

ACCUTECH TABLES

The iQ Labs Accutech Table System brings next level flexibility into your space. Height adjustability, a broad range of sizes and configurations, various top materials and hanging cabinet options make the Accutech Table the perfect furniture system for any research, testing, education or chemistry setting.

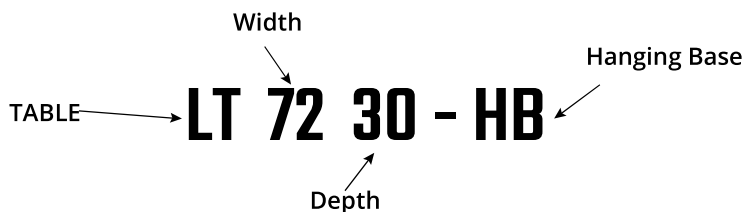
Similar to its Infinity Bench counterpart, it's SEFA compliant ensuring you are receiving the highest quality table system on the market.

The Accutech system is highly configurable to fit any space. Custom sizing and configurations are available upon request. The tables are engineered to ship knocked down, or fully welded with both styles having either fixed or adjustable-height options.



ACCUTECH TABLE NUMBERING SYSTEM

iQ Labs Accutech table system uses the same base structure part numbering scheme as the Infinity Bench showing width, depth and hanging base cabinet accessory package.



Number Code•

1st Two Letters = Type of Product
1st Number = Width
2nd Number = Depth

Letter Code•

HB = Hanging Base Cabinet
LT = Lab Table
G = Glides
C = Casters

Product Specifications



14ga Steel Tube Construction

Pin-height adjustable from 29" to 37"

Optional undermount electrical chase

Knocked down construction with easy two part assembly.

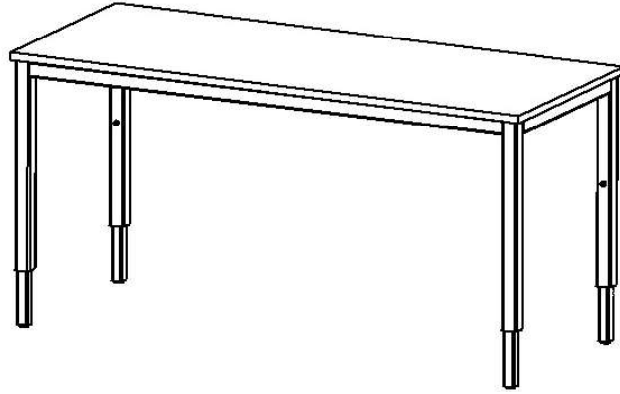
Optional fully welded option with additional support legs for heavy load applications.

Chemically resistant epoxy powder coat.

Accessory options include: hanging base cabinets, modesty panels, lower shelf units.

SEFA Compliant.

ACCUTECH TABLE



LT4830G
LT4830C

LT6030G
LT6030C

LT7230G
LT7230C

LT8430G
LT8430C

LT9630G
LT9630C



Casework

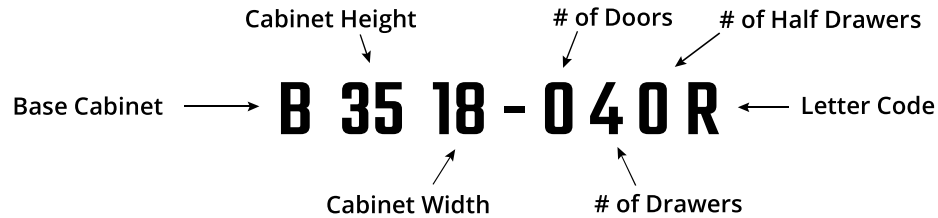
Following our half-century tradition of manufacturing high quality laboratory equipment, we offer a complete line of metal casework for the rigorous demands of the professional laboratory.

iQ Labs is your go-to for laboratory furnishings, where you will get the highest quality, durable products to meet your needs. Whether you are designing your space from scratch or wish to renovate an existing one, we have you covered with choices that fit your needs.. We are one of the fastest-growing lab casework suppliers in Michigan providing customized solutions to suit your lab or educational space. Our team ensures the lab cabinets are customized according to your environment and we promise extraordinary fit and finish in every product that we sell. Our commitment is to build the best cabinets that can stand up to the harshest of environments but still have the flexibility to be used for many different purposes.



Casework Numbering System

All iQ Labs casework uses a simple product numbering system based on the products' configuration. Unless otherwise indicated, numbers before the dash indicate product type and nominal dimensions, while numbers after the dash indicate (in order) the number of doors, drawers, and half-high drawers



Number Code•

- 1st Letter = Type of Product
- 1st Number = Height
- 2nd Number = Width
- 3rd Number = # of Doors
- 4th Number = # of Full Drawers
- 5th Number = # of Half Drawers
- 2nd Letter = See Letter Code

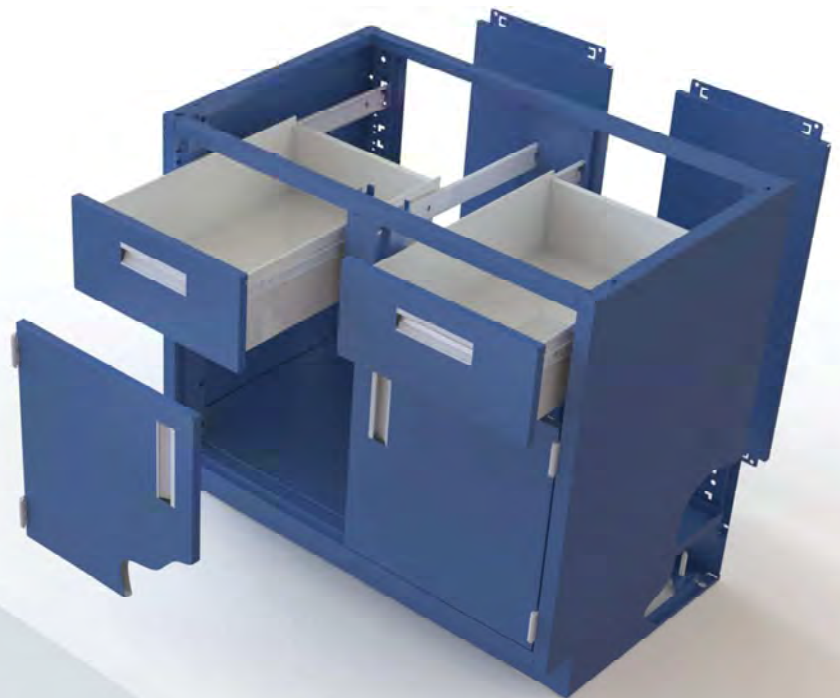
Letter Code•

- R = Hinge on Right
- L = Hinge on Left
- GH = Glass Hinged
- GS = Glass Hinged
- GSF = Glass Sliding Framed
- SH = Steel Hinged
- SS = Steel Sliding
- I = Island
- P = Panel
- S = Sink Cabinet
- B = Bin Drawer
- F = File Drawer
- SP = Solid Panel

Product Specifications

- Epoxy, Powder-coat.
- Built with 18 gauge premium cold rolled steel.
- Removable backs and removable bottoms for easy installation and cleaning.
- Full-extension, heavy-duty, ball-bearing drawer slides.
- Chemically resistant epoxy powder coat.
- Stainless steel, five-knuckle door hinges.
- SEFA Compliant.

Aprons	18 Gauge
Back Panels	20 Gauge
Bottom Panels	18 Gauge
Drawer Outer Panels	20 Gauge
Drawer Bodies	20 Gauge
Door Inner/Outer Panels	20 Gauge
Shelves	18 Gauge
Side Panels	18 Gauge



Base Cabinets - 35" High

Counter/standing height (35" high) base cabinets come in a wide variety of widths and door/drawer combinations. All cabinets are 22" deep and come standard with one shelf. Additional shelves are available.



B3515 - 000
B3518 - 000
B3524 - 000



B3515 - 100L
B3518 - 100L
B3524 - 100L



B3515 - 100R
B3518 - 100R
B3524 - 100R



B3515 - 110L
B3518 - 110L
B3524 - 110L



B3515 - 110R
B3518 - 110R
B3524 - 110R



B3515 - 102L
B3518 - 102L
B3524 - 102L



B3515 - 102R
B3518 - 102R
B3524 - 102R



B3515 - F20
B3518 - F20
B3524 - F20



B3515 - 040
B3518 - 040
B3524 - 040

Base Cabinets - 35" High



B3515 - 032
B3518 - 032
B3524 - 032



B3515 - 024
B3518 - 024
B3524 - 024



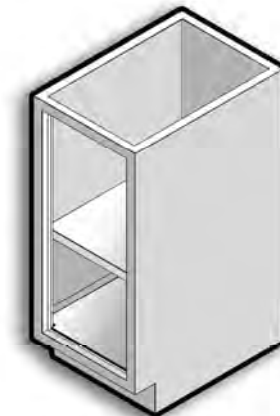
B3515 - 008
B3518 - 008
B3524 - 008



B3515 - F12
B3518 - F12
B3524 - F12



B3515 - FF0
B3518 - FF0
B3524 - FF0



B3530 - 000
B3536 - 000
B3542 - 000
B3548 - 000



B3530 - 200
B3536 - 200
B3542 - 200
B3548 - 200



B3530 - 110LSP
B3536 - 110LSP
B3542 - 110LSP
B3548 - 110LSP



B3530 - 110RSP
B3536 - 110RSP
B3542 - 110RSP
B3548 - 110RSP

Base Cabinets - 35" High



B3530 - 210
 B3536 - 210
 B3542 - 210
 B3548 - 210



B3530 - 220
 B3536 - 220
 B3542 - 220
 B3548 - 220



B3530 - 212A
 B3536 - 212A
 B3542 - 212A
 B3548 - 212A



B3530 - 212B
 B3536 - 212B
 B3542 - 212B
 B3548 - 212B



B3530 - 204
 B3536 - 204
 B3542 - 204
 B3548 - 204



B3530 - 104BL
 B3536 - 104BL
 B3542 - 104BL
 B3548 - 104BL



B3530 - 104BR
 B3536 - 104BR
 B3542 - 104BR
 B3548 - 104BR

Base Cabinets - 35" High



B3530 - 150L
 B3536 - 150L
 B3542 - 150L
 B3548 - 150L



B3530 - 150R
 B3536 - 150R
 B3542 - 150R
 B3548 - 150R



B3530 - 142L
 B3536 - 142L
 B3542 - 142L
 B3548 - 142L



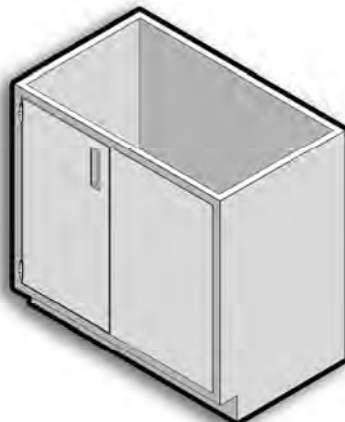
B3530 - 142R
 B3536 - 142R
 B3542 - 142R
 B3548 - 142R



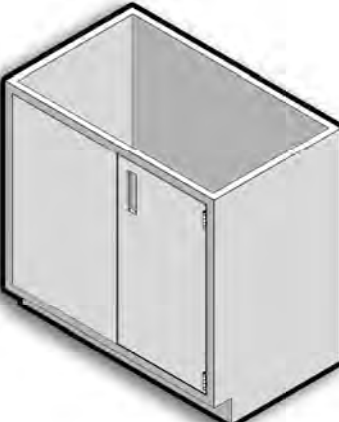
B3530 - 132L
 B3536 - 132L
 B3542 - 132L
 B3548 - 132L



B3530 - 132R
 B3536 - 132R
 B3542 - 132R
 B3548 - 132R



B3530 - 100LSP
 B3536 - 100LSP
 B3542 - 100LSP
 B3548 - 100LSP



B3530 - 100RSP
 B3536 - 100RSP
 B3542 - 100RSP
 B3548 - 100RSP



B3530 - 140AL
 B3536 - 140AL
 B3542 - 140AL
 B3548 - 140AL

Base Cabinets - 35" High



B3530 - 140AR
 B3536 - 140AR
 B3542 - 140AR
 B3548 - 140AR



B3530 - 134L
 B3536 - 134L
 B3542 - 134L
 B3548 - 134L



B3530 - 134R
 B3536 - 134R
 B3542 - 134R
 B3548 - 134R



B3530 - 048A
 B3536 - 048A
 B3542 - 048A
 B3548 - 048A



B3530 - 048B
 B3536 - 048B
 B3542 - 048B
 B3548 - 048B



B3530 - 040
 B3536 - 040
 B3542 - 040
 B3548 - 040



B3530 - 050
 B3536 - 050
 B3542 - 050
 B3548 - 050



B3530 - 060
 B3536 - 060
 B3542 - 060
 B3548 - 060



B3530 - 080
 B3536 - 080
 B3542 - 080
 B3548 - 080

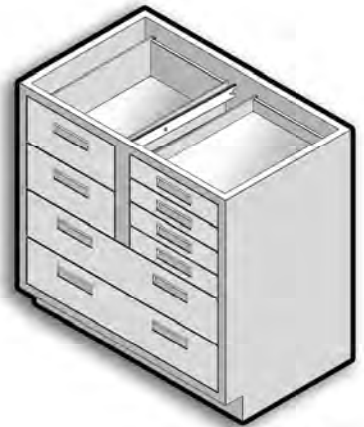
Base Cabinets - 35" High



B3530 - 024
 B3536 - 024
 B3542 - 024
 B3548 - 024



B3530 - 032
 B3536 - 032
 B3542 - 032
 B3548 - 032



B3530 - 044A
 B3536 - 044A
 B3542 - 044A
 B3548 - 044A



B3530 - 044B
 B3536 - 044B
 B3542 - 044B
 B3548 - 044B



B3530 - 048C
 B3536 - 048C
 B3542 - 048C
 B3548 - 048C



B3530 - 070A
 B3536 - 070A
 B3542 - 070A
 B3548 - 070A



B3530 - 070B
 B3536 - 070B
 B3542 - 070B
 B3548 - 070B

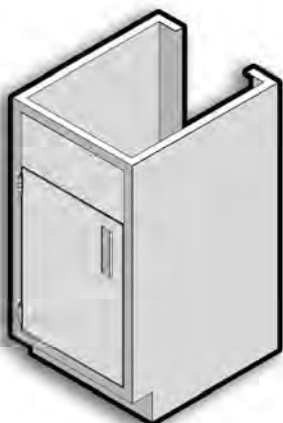


B3530 - 052
 B3536 - 052
 B3542 - 052
 B3548 - 052

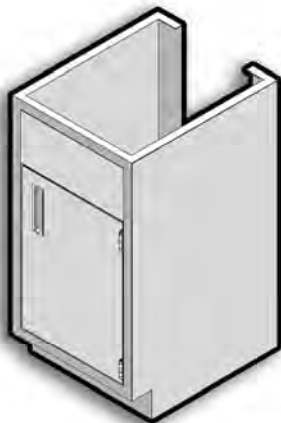


B3530 - 008
 B3536 - 008
 B3542 - 008
 B3548 - 008

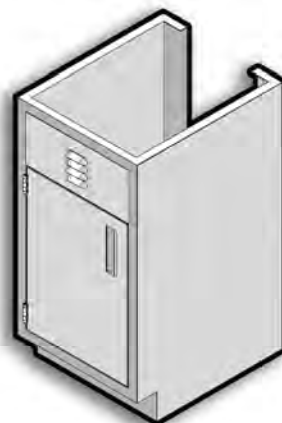
Fume Hood & Sink Base Cabinets - 35" High



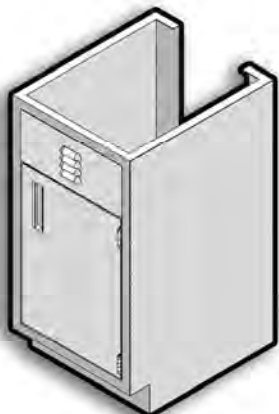
Sink Base
B3518 - 10SL
B3524 - 10SL



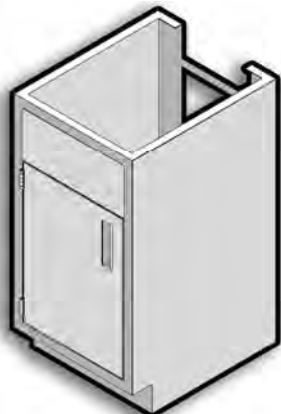
Sink Base
B3518 - 10SR
B3524 - 10SR



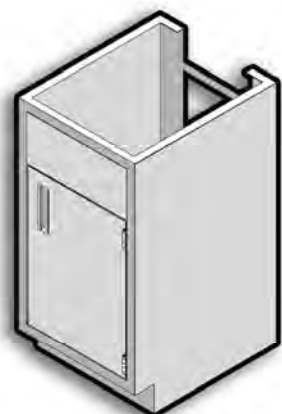
Sink Base
B3518 - 10SL LVRS
B3524 - 10SL LVRS



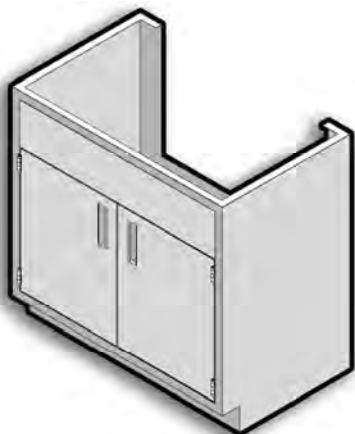
Sink Base
B3518 - 10SR LVRS
B3524 - 10SR LVRS



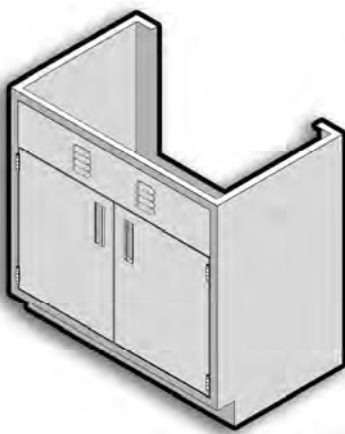
Hood Base
B3518 - 10PL
B3524 - 10PL



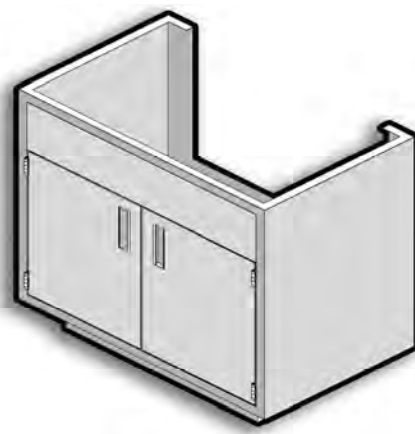
Hood Base
B3518 - 10PR
B3524 - 10PR



Sink Base
B3530 - 20S
B3536 - 20S
B3542 - 20S
B3548 - 20S
B3552 - 20S
B3558 - 20S

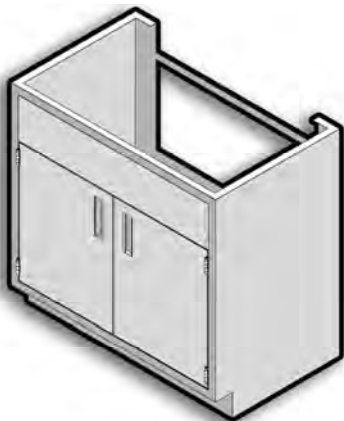


Louvered Sink Base
B3530 - 20S LVRS
B3536 - 20S LVRS
B3542 - 20S LVRS
B3548 - 20S LVRS
B3552 - 20S LVRS
B3558 - 20S LVRS

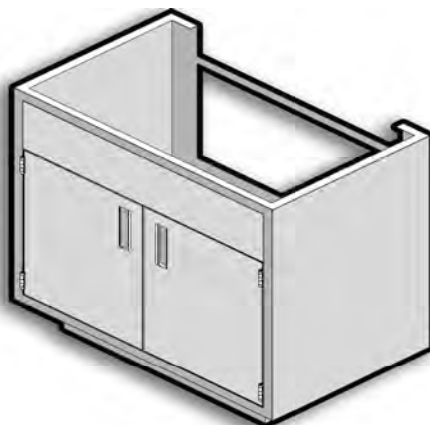


Sink Island Base
B3552 - 20SI
B3558 - 20SI

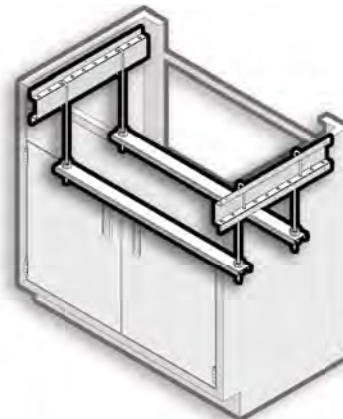
Fume Hood & Sink Base Cabinets - 35" High



Hood Base
 B3530 - 20P
 B3536 - 20P
 B3542 - 20P
 B3548 - 20P
 B3552 - 20P
 B3558 - 20P



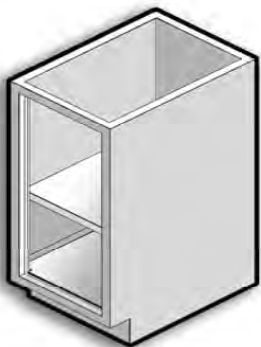
Hood Island Base
 B3552 - 20PI
 B3558 - 20PI



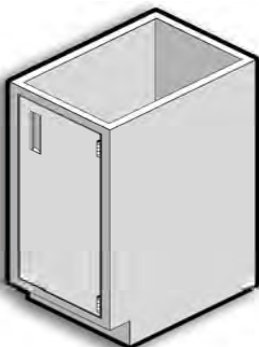
Sink Support Assembly
 SS - 14
 SS - 18
 SS - 24
 SS - 30
 SS - 36
 SS - 48
 SS - 52
 SS - 58

Base Cabinets - 29" High

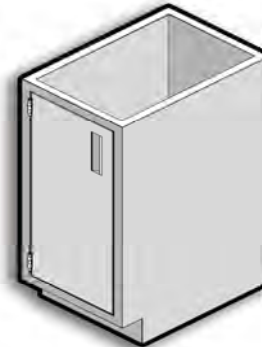
Sitting/desk height (29" high) base cabinets come in a wide variety of widths and door/drawer combinations. All cabinets are 22" deep and come standard with one shelf. Additional shelves are available.



B2915 - 000
 B2918 - 000
 B2924 - 000
 B2930 - 000
 B2936 - 000
 B2942 - 000
 B2948 - 000

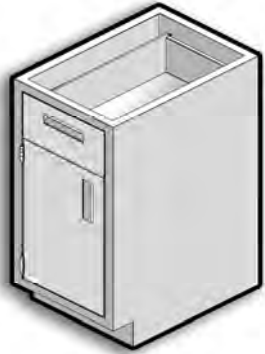


B2915 - 100L
 B2918 - 100L
 B2924 - 100L



B2915 - 100R
 B2918 - 100R
 B2924 - 100R

Base Cabinets - 29" High



B2915 - 110L
B2918 - 110L
B2924 - 110L



B2915 - 110R
B2918 - 110R
B2924 - 110R



B2915 - 102L
B2918 - 102L
B2924 - 102L



B2915 - 102R
B2918 - 102R
B2924 - 102R



B2915 - 030
B2918 - 030
B2924 - 030



B2915 - F10
B2918 - F10
B2924 - F10



B2915 - B11
B2918 - B11
B2924 - B11



B2915 - 022
B2918 - 022
B2924 - 022



B2915 - F02
B2918 - F02
B2924 - F02

Base Cabinets - 29" High



B2915 - 006
 B2918 - 006
 B2924 - 006



B2930 - 200
 B2936 - 200
 B2942 - 200
 B2948 - 200



B2930 - 210
 B2936 - 210
 B2942 - 210
 B2948 - 210



B2930 - 220
 B2936 - 220
 B2942 - 220
 B2948 - 220



B2930 - 040
 B2936 - 040
 B2942 - 040
 B2948 - 040



B2930 - 050
 B2936 - 050
 B2942 - 050
 B2948 - 050



B2930 - 060
 B2936 - 060
 B2942 - 060
 B2948 - 060

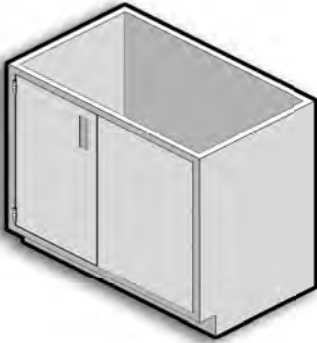


B2930 - 044
 B2936 - 044
 B2942 - 044
 B2948 - 044



B2930 - 006
 B2936 - 006
 B2942 - 006
 B2948 - 006

Base Cabinets - 29" High



B2930 - 100LSP
B2936 - 100LSP
B2942 - 100LSP
B2948 - 100LSP



B2930 - 100RSP
B2936 - 100RSP
B2942 - 100RSP
B2948 - 100RSP



B2930 - 110LSP
B2936 - 110LSP
B2942 - 110LSP
B2948 - 110LSP



B2930 - 110RSP
B2936 - 110RSP
B2942 - 110RSP
B2948 - 110RSP

Mobile Base Cabinets

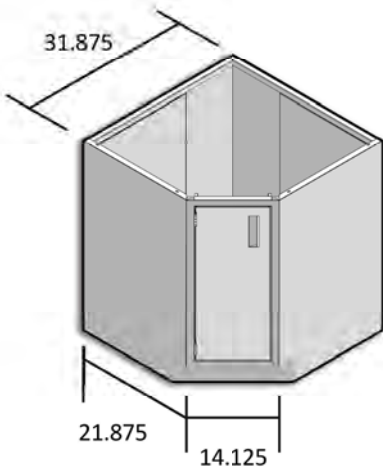


MB2915 - 030
MB2918 - 030
MB2924 - 030
MB2930 - 030



MB2915 - 040
MB2918 - 040
MB2924 - 040
MB2930 - 040

Corner Base Cabinets

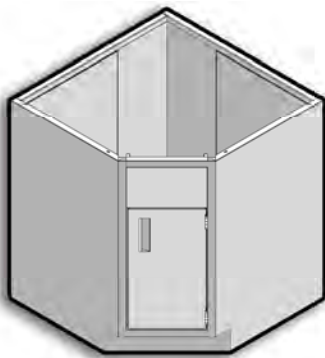


C2914 - 100R
C3514 - 100R

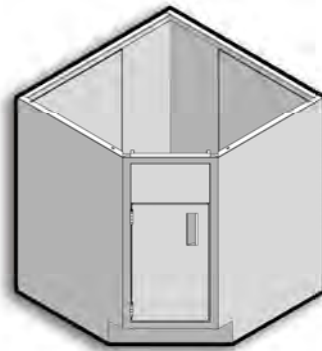


C2914 - 100L
C3514 - 100L

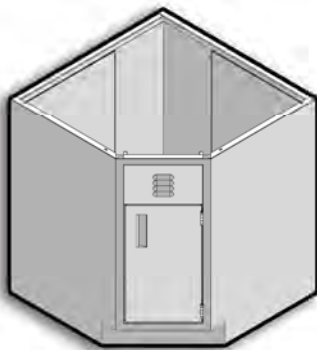
Shown with optional lazy Susan



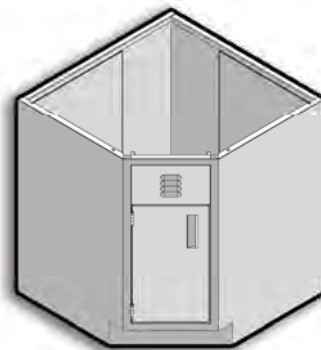
C2914 - 10SL
C3514 - 10SL



C2914 - 10SR
C3514 - 10SR



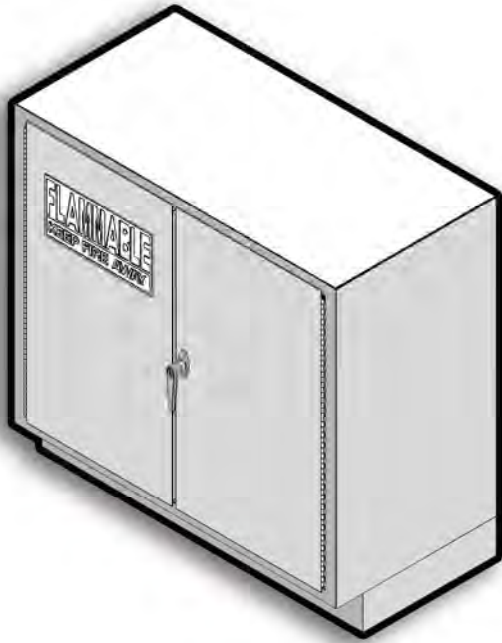
C2914 - 10SL LVRS
C3514 - 10SL LVRS



C2914 - 10SR LVRS
C3514 - 10SR LVRS

Flammable Storage Cabinets

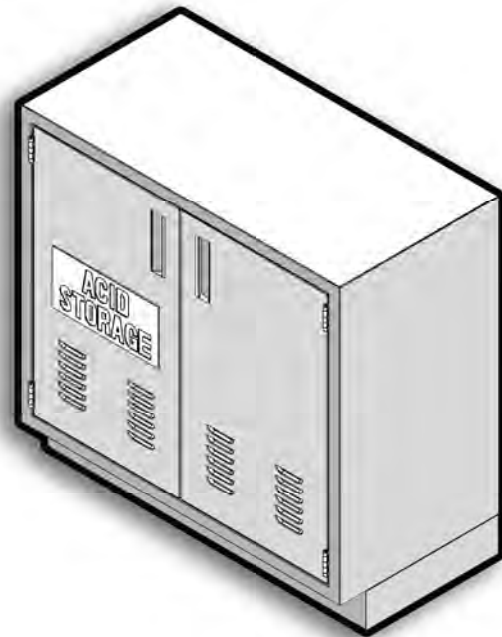
Flammable storage cabinets are double-walled constructed with insulation. All cabinets are available in 18" and 22" deep and come standard with one shelf.



FLAM2924 - 100
FLAM2930 - 200
FLAM2936 - 200
FLAM2942 - 200
FLAM2948 - 200
FLAM2952 - 200
FLAM2958 - 200
FLAM3524 - 100
FLAM3530 - 200
FLAM3536 - 200
FLAM3542 - 200
FLAM3548 - 200
FLAM3552 - 200
FLAM3558 - 200

Acid Storage Cabinets

Acid storage cabinets are lined with polyethylene for maximum corrosion protection. All cabinets are available in 18" and 22" deep and come standard with one shelf.



ASB29 18 - 10P
ASB29 24 - 10P
ASB29 30 - 20P
ASB29 36 - 20P
ASB29 42 - 20P
ASB29 48 - 20P
ASB29 52 - 20P
ASB29 58 - 20P
ASB35 18 - 10P
ASB35 24 - 10P
ASB35 30 - 20P
ASB35 36 - 20P
ASB35 42 - 20P
ASB35 48 - 20P
ASB35 52 - 20P
ASB35 58 - 20P

Counter Tops

Maximum Chemical Resistance

Phenolic Resin

- A solid composite fused under heat and pressure.
- Excellent chemical resistance.
- Uniform throughout.
- 1" thick = 7.2 lbs./sq. ft.
- Field cut with carbide blades and bits.
- Color: Black – also available in colors and patterns with a modified surface.

Epoxy Resin

- A molded monolithic epoxy.
- Excellent chemical resistance.
- Uniform throughout.
- 1" thick = 11.5 lbs./sq. ft.
- Specific molds for contoured work surfaces and sinks.
- Standard fume hood deck – dished epoxy.
- Color: Black – other colors available.



Moderate Chemical Resistance

Chemsurf Laminate

- Modified resin surface laminate
- Enhanced for chemical resistance
- Moderately lower cost
- Many colors and patterns to showcase

Laminated Phenolic Core

- Chemical resistant laminate
- Moderately lower cost
- Many colors and patterns to showcase

Special Purpose Tops

Standard Laminate

- For chemical-free surfaces
- Lower cost
- Colors and patterns for any decor

Stainless Steel

- Conductive
- Easy to clean
- Costly

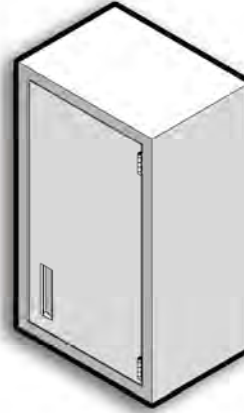
Wall Cases

Wall cases are 13" deep and come standard with one, two or three shelves, depending upon the height of the unit. Non-standard 16"-deep wall cases are also available. To order a 16" deep unit, please add the suffix -16(deep) after the product number.

Wall cases 30" wide and wider may be ordered as dual-entry units. Dual-entry units are open on two sides or have doors on two sides, to allow access from two directions. To order a dual-entry unit, add the suffix -2SidesOpen after the product number, and double the number of doors (the first number after the dash) from 2 to 4. For example, the product number for a 30" x 36" dual-entry wall case with glass hinged doors would be W30(h)36(w)-4GH-2SidesOpen.



W2418 - 1SH(L)
 W3018 - 1SH(L)
 W3618 - 1SH(L)
 W4818 - 1SH(L)
 W2424 - 1SH(L)
 W3024 - 1SH(L)
 W3624 - 1SH(L)
 W4824 - 1SH(L)



W2418 - 1SH(R)
 W3018 - 1SH(R)
 W3618 - 1SH(R)
 W4818 - 1SH(R)
 W2424 - 1SH(R)
 W3024 - 1SH(R)
 W3624 - 1SH(R)
 W4824 - 1SH(R)

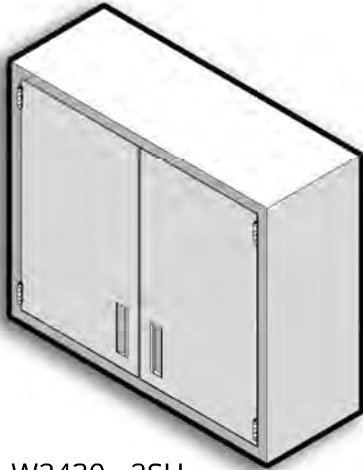


W2418 - 1GH(L)
 W3018 - 1GH(L)
 W3618 - 1GH(L)
 W4818 - 1GH(L)
 W2424 - 1GH(L)
 W3024 - 1GH(L)
 W3624 - 1GH(L)
 W4824 - 1GH(L)

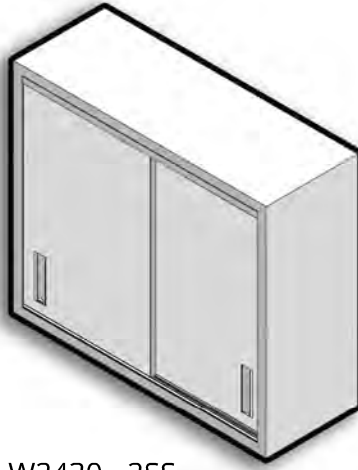


W2418 - 1GH(R)
 W3018 - 1GH(R)
 W3618 - 1GH(R)
 W4818 - 1GH(R)
 W2424 - 1GH(R)
 W3024 - 1GH(R)
 W3624 - 1GH(R)
 W4824 - 1GH(R)

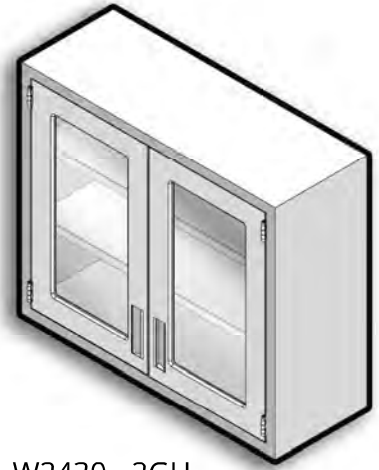
Wall Cases



W2430 - 2SH
 W2436 - 2SH
 W2442 - 2SH
 W2448 - 2SH
 W3030 - 2SH
 W3036 - 2SH
 W3042 - 2SH
 W3048 - 2SH
 W3630 - 2SH
 W3636 - 2SH
 W3642 - 2SH
 W3648 - 2SH
 W4830 - 2SH
 W4836 - 2SH
 W4842 - 2SH
 W4848 - 2SH



W2430 - 2SS
 W2436 - 2SS
 W2442 - 2SS
 W2448 - 2SS
 W3030 - 2SS
 W3036 - 2SS
 W3042 - 2SS
 W3048 - 2SS
 W3630 - 2SS
 W3636 - 2SS
 W3642 - 2SS
 W3648 - 2SS
 W4830 - 2SS
 W4836 - 2SS
 W4842 - 2SS
 W4848 - 2SS



W2430 - 2GH
 W2436 - 2GH
 W2442 - 2GH
 W2448 - 2GH
 W3030 - 2GH
 W3036 - 2GH
 W3042 - 2GH
 W3048 - 2GH
 W3630 - 2GH
 W3636 - 2GH
 W3642 - 2GH
 W3648 - 2GH
 W4830 - 2GH
 W4836 - 2GH
 W4842 - 2GH
 W4848 - 2GH



Wall 24 30 - 2GS
 Wall 24 36 - 2GS
 Wall 24 42 - 2GS
 Wall 24 48 - 2GS
 Wall 30 30 - 2GS
 Wall 30 36 - 2GS
 Wall 30 42 - 2GS
 Wall 30 48 - 2GS
 Wall 36 30 - 2GS
 Wall 36 36 - 2GS
 Wall 36 42 - 2GS
 Wall 36 48 - 2GS
 Wall 48 30 - 2GS
 Wall 48 36 - 2GS
 Wall 48 42 - 2GS
 Wall 48 48 - 2GS



W2430 - 2GFS
 W2436 - 2GFS
 W2442 - 2GFS
 W2448 - 2GFS
 W3030 - 2GFS
 W3036 - 2GFS
 W3042 - 2GFS
 W3048 - 2GFS
 W3630 - 2GFS
 W3636 - 2GFS
 W3642 - 2GFS
 W3648 - 2GFS
 W4830 - 2GFS
 W4836 - 2GFS
 W4842 - 2GFS
 W4848 - 2GFS

Wall Cases



W2418 - 000
 W2424 - 000
 W2430 - 000
 W2436 - 000
 W2442 - 000
 W2448 - 000

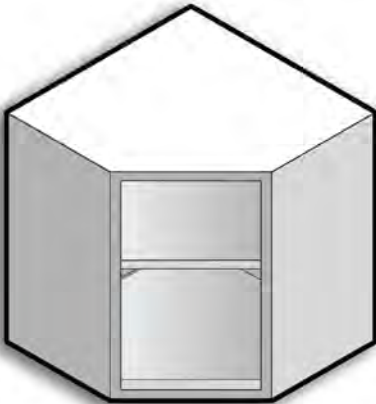
W3618 - 000
 W3624 - 000
 W3630 - 000
 W3636 - 000
 W3642 - 000
 W3648 - 000

W3018 - 000
 W3024 - 000
 W3030 - 000
 W3036 - 000
 W3042 - 000
 W3048 - 000

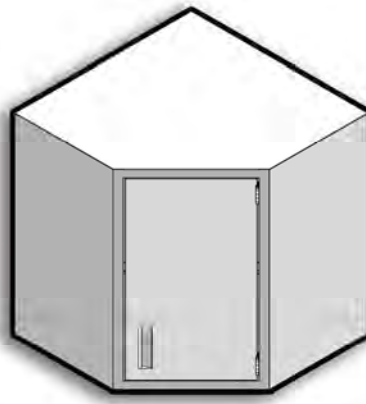
W4818 - 000
 W4824 - 000
 W4830 - 000
 W4836 - 000
 W4842 - 000
 W4848 - 000

Wall Corner Cases

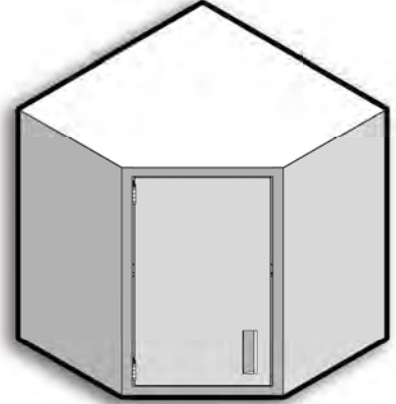
Corner wall cases are 13" deep; non-standard 16"-deep wall cases are also available. To order a 16" deep unit, please add the suffix -16(deep) after the product number.



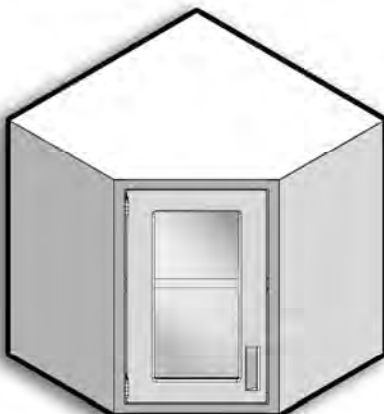
WC3018 - 000
 WC3618 - 000



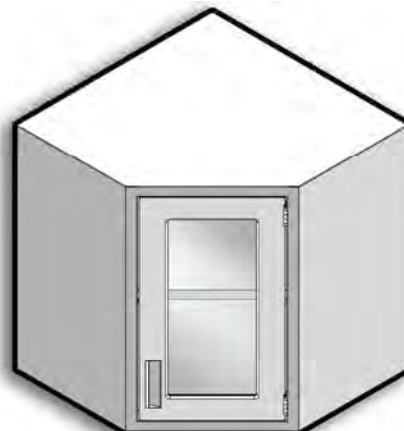
WC3018 - 1SH (R)



WC3018 - 1SH (L)



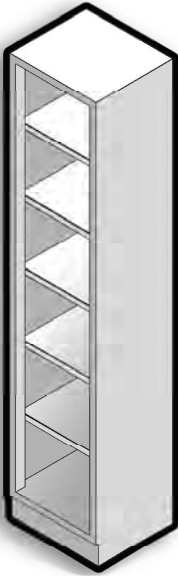
WC3018 - 1GH (L)
 WC3618 - 1GH (L)



WC3018 - 1GH (R)
 WC3618 - 1GH (R)

Floor Cases

Floor cases are 84" high and are available in depths of either 16" or 21.25." All units come standard with five shelves.



F8418 - 000 - 16
 F8418 - 000 - 21
 F8424 - 000 - 16
 F8424 - 000 - 21



F8418 - 1SHL - 16
 F8418 - 1SHL - 21
 F8424 - 1SHL - 16
 F8424 - 1SHL - 21



F8418 - 1SHR - 16
 F8418 - 1SHR - 21
 F8424 - 1SHR - 16
 F8424 - 1SHR - 21



F8418 - 1GHL - 16
 F8418 - 1GHL - 21
 F8424 - 1GHL - 16
 F8424 - 1GHL - 21



F8418 - 1GHR - 16
 F8418 - 1GHR - 21
 F8424 - 1GHR - 16
 F8424 - 1GHR - 21



F8430 - 000 - 16
 F8430 - 000 - 21
 F8436 - 000 - 16
 F8436 - 000 - 21
 F8442 - 000 - 16
 F8442 - 000 - 21
 F8448 - 000 - 16
 F8448 - 000 - 21

Floor Cases



F8430 - 2SH - 16
 F8430 - 2SH - 21
 F8436 - 2SH - 16
 F8436 - 2SH - 21
 F8442 - 2SH - 16
 F8442 - 2SH - 21
 F8448 - 2SH - 16
 F8448 - 2SH - 21



F8430 - 2SS - 16
 F8430 - 2SS - 21
 F8436 - 2SS - 16
 F8436 - 2SS - 21
 F8442 - 2SS - 16
 F8442 - 2SS - 21
 F8448 - 2SS - 16
 F8448 - 2SS - 21



F8430 - 2GH - 16
 F8430 - 2GH - 21
 F8436 - 2GH - 16
 F8436 - 2GH - 21
 F8442 - 2GH - 16
 F8442 - 2GH - 21
 F8448 - 2GH - 16
 F8448 - 2GH - 21

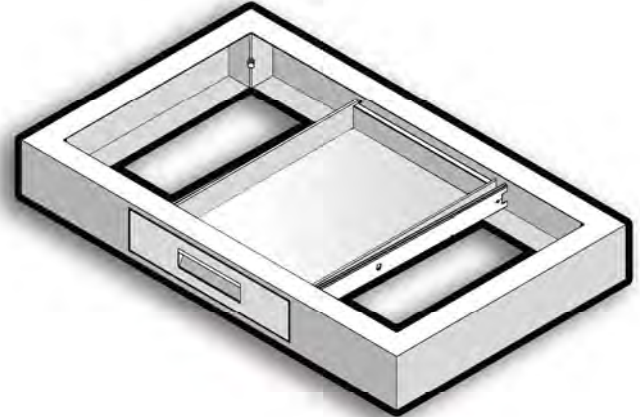
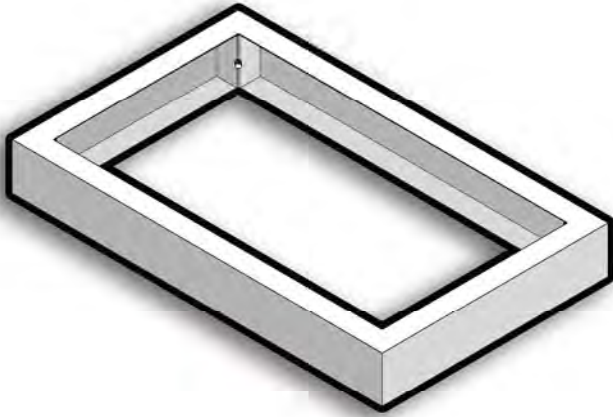


F8430 - 2GSF - 16
 F8430 - 2GSF - 21
 F8436 - 2GSF - 16
 F8436 - 2GSF - 21
 F8442 - 2GSF - 16
 F8442 - 2GSF - 21
 F8448 - 2GSF - 16
 F8448 - 2GSF - 21

Aprons

Aprons are 4.5" high and come in standard depths of 22" and 28." The numbers after the dash indicate the number of drawers in a unit.

For example, a product number ending in - 001 means that the unit has one drawer.

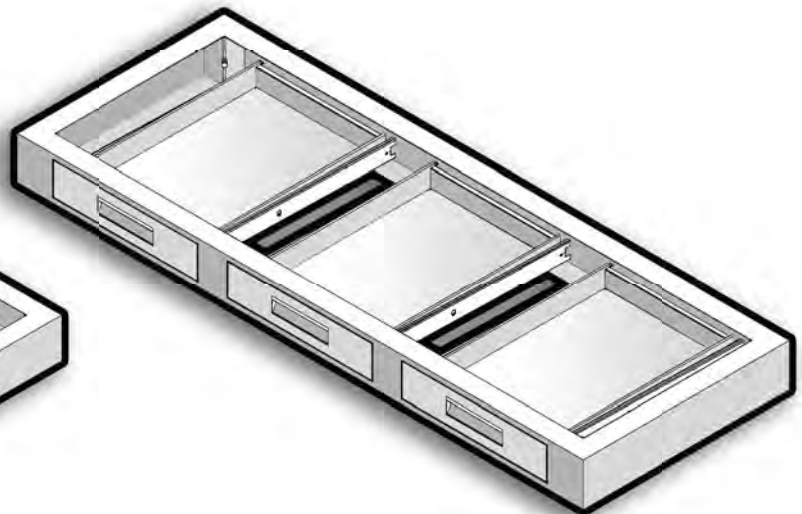
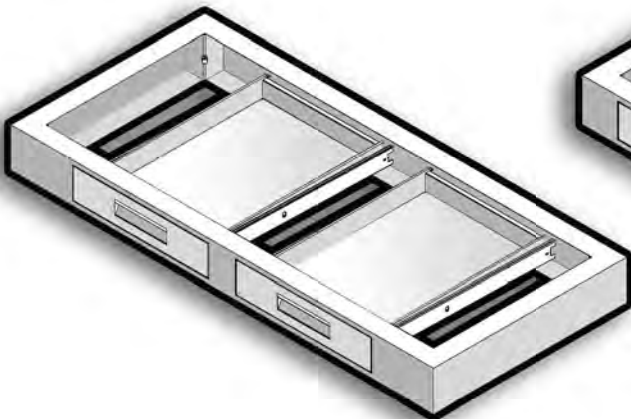


A042422 - 000
 A043022 - 000
 A043622 - 000
 A044222 - 000
 A044822 - 000
 A045422 - 000
 A046022 - 000
 A046622 - 000
 A047222 - 000

A042428 - 000
 A043028 - 000
 A043628 - 000
 A044228 - 000
 A044828 - 000
 A045428 - 000
 A046028 - 000
 A046628 - 000
 A047228 - 000

A042422 - 001
 A043022 - 001
 A043622 - 001
 A044222 - 001

 A042428 - 001
 A043028 - 001
 A043628 - 001
 A044228 - 001



A044222 - 002
 A044822 - 002
 A045422 - 002
 A046022 - 002
 A046622 - 002
 A047222 - 002

A044228 - 002
 A044828 - 002
 A045428 - 002
 A046028 - 002
 A046628 - 002
 A047228 - 002

A047222 - 003
 A047228 - 003

Knee Space Rails and Panels

Knee Space Rails

Knee space rails are 4.5" high and are available in a variety of standard widths.



KSR18(w)
KSR24(w)
KSR30(w)
KSR36(w)
KSR42(w)
KSR48(w)
KSR52(w)

KSR54(w)
KSR60(w)
KSR66(w)
KSR72(w)
KSR84(w)
KSR96(w)

Knee Space Panels

24" high - for sitting applications with apron

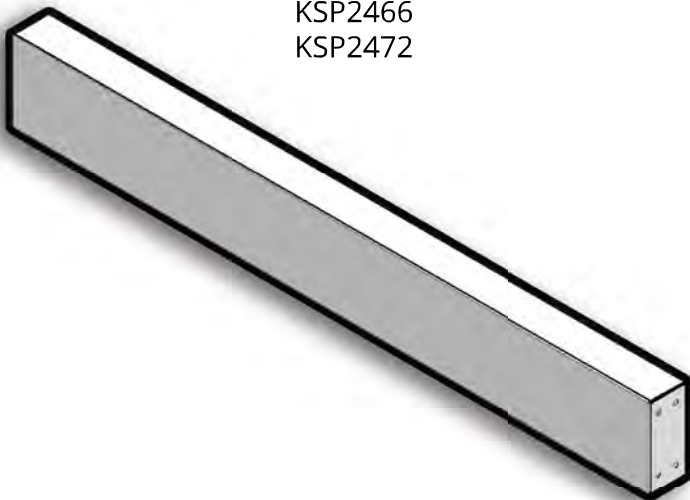
KSP2424
KSP2430
KSP2436
KSP2442
KSP2448
KSP2454
KSP2460
KSP2466
KSP2472

29" high - for standing applications with apron, or sitting without an apron

KSP2924
KSP2930
KSP2936
KSP2942
KSP2948
KSP2954
KSP2960
KSP2966
KSP2972

35" high - for standing applications without an apron

KSP3524
KSP3530
KSP3536
KSP3542
KSP3548
KSP3554
KSP3560
KSP3566
KSP3572



Utility Tables

Utility tables come in standard heights of 29" and 35" and standard depths of 22" and 28".
The numbers after the dash indicate the number of drawers in a unit.

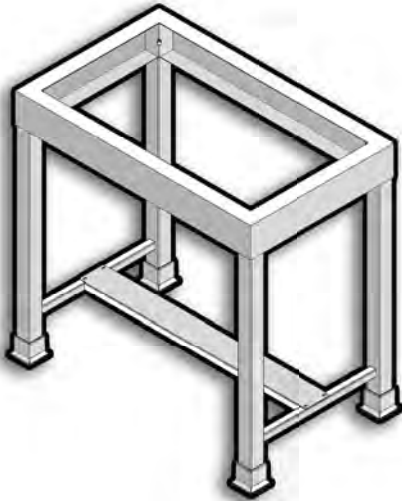


Table29(h)24(w)22(d)-000
Table29(h)30(w)22(d)-000
Table29(h)36(w)22(d)-000
Table29(h)42(w)22(d)-000
Table29(h)48(w)22(d)-000
Table29(h)60(w)22(d)-000
Table29(h)72(w)22(d)-000

Table29(h)24(w)28(d)-000
Table29(h)30(w)28(d)-000
Table29(h)36(w)28(d)-000
Table29(h)42(w)28(d)-000
Table29(h)48(w)28(d)-000
Table29(h)60(w)28(d)-000
Table29(h)72(w)28(d)-000

Table35(h)24(w)22(d)-000
Table35(h)30(w)22(d)-000
Table35(h)36(w)22(d)-000
Table35(h)42(w)22(d)-000
Table35(h)48(w)22(d)-000
Table35(h)60(w)22(d)-000
Table35(h)72(w)22(d)-000

Table35(h)24(w)28(d)-000
Table35(h)30(w)28(d)-000
Table35(h)36(w)28(d)-000
Table35(h)42(w)28(d)-000
Table35(h)48(w)28(d)-000
Table35(h)60(w)28(d)-000
Table35(h)72(w)28(d)-000

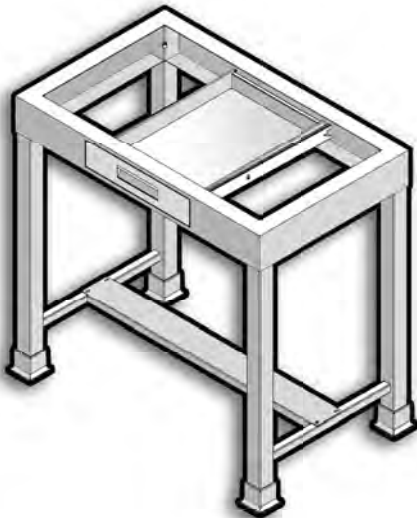


Table29(h)24(w)22(d)-001
Table29(h)30(w)22(d)-001
Table29(h)36(w)22(d)-001
Table29(h)42(w)22(d)-001

Table29(h)24(w)28(d)-001
Table29(h)30(w)28(d)-001
Table29(h)36(w)28(d)-001
Table29(h)42(w)28(d)-001

Table35(h)24(w)22(d)-001
Table35(h)30(w)22(d)-001
Table35(h)36(w)22(d)-001
Table35(h)42(w)22(d)-001

Table35(h)24(w)28(d)-001
Table35(h)30(w)28(d)-001
Table35(h)36(w)28(d)-001
Table35(h)42(w)28(d)-001

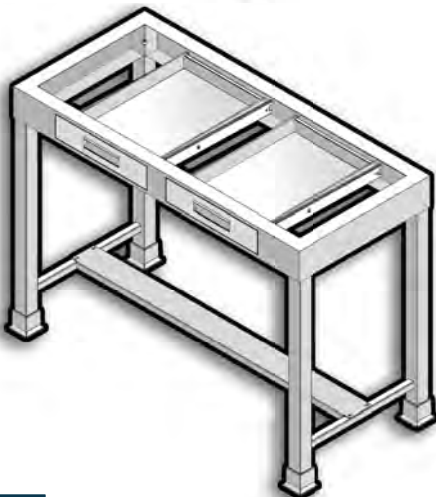


Table29(h)48(w)22(d)-002
Table29(h)60(w)22(d)-002
Table29(h)72(w)22(d)-002

Table29(h)48(w)28(d)-002
Table29(h)60(w)28(d)-002
Table29(h)72(w)28(d)-002

Table35(h)48(w)22(d)-002
Table35(h)60(w)22(d)-002
Table35(h)72(w)22(d)-002

Table35(h)48(w)28(d)-002
Table35(h)60(w)28(d)-002
Table35(h)72(w)28(d)-002

Utility Tables

Table29(h)72(w)22(d)-003
 Table35(h)72(w)22(d)-003

Table29(h)72(w)28(d)-002
 Table35(h)72(w)28(d)-002



Filler Panels

Standard filler panels for base cabinets are 35" high; standard filler panels for floor cases are 84" high. Custom sizes are available.



C - Filler

C- Filler35(h)8(w)
 C- Filler35(h)14(w)



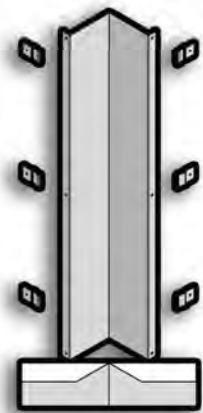
L - Filler

L- Filler35(h)1(w)
 L- Filler35(h)7(w)
 L- Filler35(h)11(w)



C - Front Filler

C-FrontFiller35(h)8(w)
 C-FrontFiller35(h)14(w)



Corner Filler

Corner Filler 35(h)1(w)
 Corner Filler 35(h)7(w)
 Corner Filler 35(h)11(w)



L - Front Filler

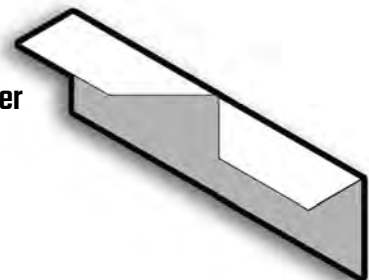
L- Front Filler35(h)18(w)
 L- Front Filler35(h)14(w)



Floor Case Filler

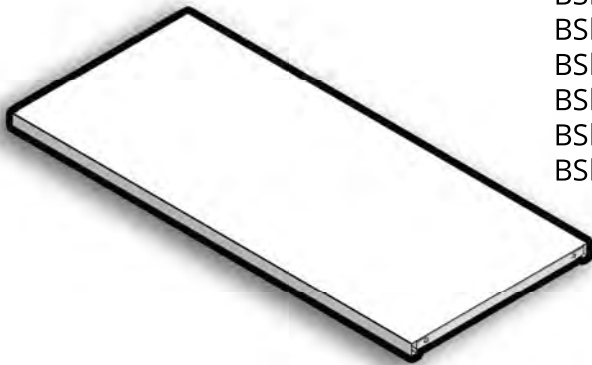
L- Front Filler84(h)2(w)
 L- Front Filler84(h)8(w)

Toe Case Filler
 TS - Filler



Accessories

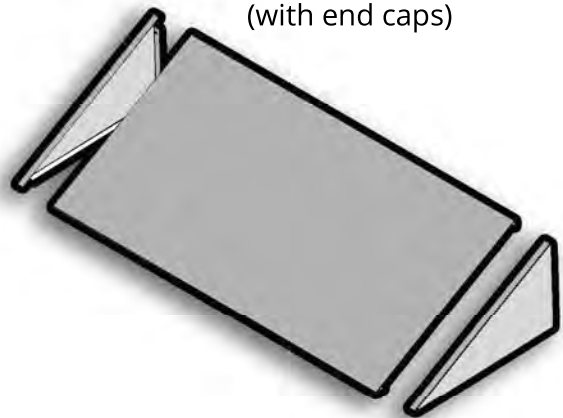
Additional Shelf (with brackets)



- | | | |
|-------------------|------------------|------------------|
| BShelf 15(w)22(d) | WShelf18(w)13(d) | FShelf18(w)16(d) |
| BShelf 18(w)22(d) | WShelf24(w)13(d) | FShelf24(w)16(d) |
| BShelf 21(w)22(d) | WShelf30(w)13(d) | FShelf30(w)16(d) |
| BShelf 24(w)22(d) | WShelf36(w)13(d) | FShelf36(w)16(d) |
| BShelf 30(w)22(d) | WShelf42(w)13(d) | FShelf42(w)16(d) |
| BShelf 36(w)22(d) | WShelf48(w)13(d) | FShelf48(w)16(d) |
| BShelf 42(w)22(d) | WShelf18(w)16(d) | FShelf18(w)21(d) |
| BShelf 48(w)22(d) | WShelf24(w)16(d) | FShelf24(w)21(d) |
| | WShelf30(w)16(d) | FShelf30(w)21(d) |
| | WShelf36(w)16(d) | FShelf36(w)21(d) |
| | WShelf42(w)16(d) | FShelf42(w)21(d) |
| | WShelf48(w)16(d) | FShelf48(w)21(d) |

Slope Top (with end caps)

- | | | |
|------------------|------------------|------------------|
| S-Top 13(d)18(w) | S-Top 16(d)18(w) | S-Top 21(d)18(w) |
| S-Top 13(d)24(w) | S-Top 16(d)24(w) | S-Top 21(d)24(w) |
| S-Top 13(d)30(w) | S-Top 16(d)30(w) | S-Top 21(d)30(w) |
| S-Top 13(d)36(w) | S-Top 16(d)36(w) | S-Top 21(d)36(w) |
| S-Top 13(d)42(w) | S-Top 16(d)42(w) | S-Top 21(d)42(w) |
| S-Top 13(d)48(w) | S-Top 16(d)48(w) | S-Top 21(d)48(w) |



Pull-Out Shelf (for base cabinets)

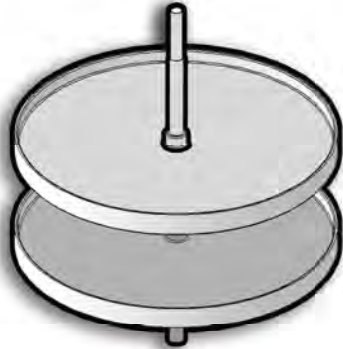


- PO-Shelf 15(w)
- PO-Shelf 18(w)
- PO-Shelf 21(w)
- PO-Shelf 24(w)
- PO-Shelf 30(w)
- PO-Shelf 36(w)
- PO-Shelf 42(w)
- PO-Shelf 48(w)

Full extension; ball bearing slides

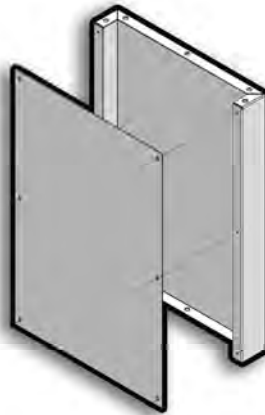
Accessories

Lazy Susan
(For corner base cabinets)



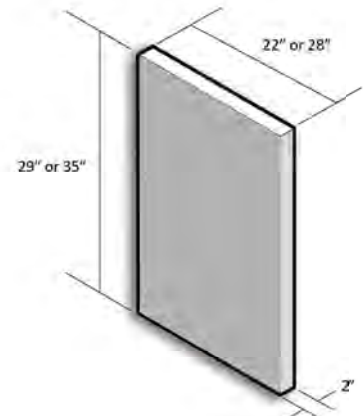
LSusan-29(h)
LSusan-35(h)

Reagent Shelf Upright



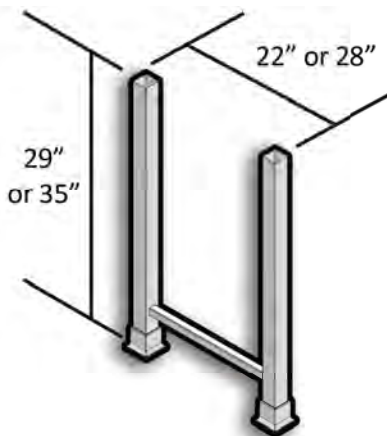
RSUpright18(h)12(d)2(w)
* Special sizes and options available upon request.

End Pedestal



EndPed29(h)02(w)22(d)
EndPed35(h)02(w)22(d)
EndPed29(h)02(w)28(d)
EndPed35(h)02(w)28(d)

Table Legs



Leg 29-22
Leg 35-22

Leg 29-28
Leg 35-28

Single Leg



S Leg 29
S Leg 35

Single Leg (with plate)



S Leg 29P
S Leg 35P

Wall Case Corner Filler*



Specify width ("W")
with order
WCCF24-W
WCCF30-W
WCCF36-W
WCCF48-W

Wall Case Front Filler*



Specify width ("W")
with order
WCFF24-W
WCFF30-W
WCFF36-W
WCFF48-W

* Wall case corner and front fillers are standard at 13" deep. To order 16"-deep fillers, add the suffix -16(deep) after the product number.

Fume Hoods

At iQ Labs safety is the cornerstone on which we build each and every fume hood. Both our bench-top and floor-mounted fume hoods are tested to the ASHRAE-110 standard and have been proven over time to be of the highest quality and have been designed and manufactured to meet the most stringent safety and operational requirements.

We offer a wide range of models for any application and are also a leader in custom fume hood design and manufacturing. At iQ Labs we offer you the flexibility to design your laboratory space without the constraints of bulky, one-size-fits-all equipment. Attention to detail, premium steel construction, and expert craftsmanship, backed by our industry best warranty and short lead times is what sets us apart from our competition. Contact us today and let us help you with your next laboratory project.



Benchtop Fume Hood Options

Electrical Options

- GFI Receptacles
- Duplex Receptacles
- Light Switch
- Blower Switch

Interior Liner Options

- Polyresin (Standard)
- Stainless Steel T304
- Fixed Baffle (Non Standard)

Plumbing Pre-Piping Options

- Copper Pre-pipe Down
- Copper Pre-pipe Up
- Flex Hose

Width Options

- 36"
- 48"
- 60"
- 72"
- 96"

Sash Configuration Options

- Vertical Sash (Standard)
- Horizontal Sash
- Combination Sash
- Interlocking Sash (Double Entry Only)

Cabinet Options

- Acid
- Flammable
- Hood Base
- Sink Base

Lighting Options

- LED (Standard)
- Explosion Proof Light

Additional Options

- ADA Front Post Configuration
- Ceiling Enclosure
- Sash Stops
- Corrosion Resistant Hardware

Alarm and Controller Options

- AFA 500 Airflow Monitor
- AFA 1000 Airflow Monitor
- AFA 4000/2 VAV Controller



Defender Series

The Defender Series fume hood has been the workhorse of our product offering for several years. With a sturdy 16-gage steel superstructure framework and removable side panels for easy access to plumbing and electrical components, it is one of the strongest and most durable fume hoods on the market. Backed by our industry leading 2-year limited warranty, you can be assured you are getting the best quality hood and a worry-free investment for your next project.

Standard Features

- Poly Resin Liner
- Powder Coat
- Stainless steel sash frame, sash guide, finger pull and airfoil.
- Three piece baffle system.
- High-flow louvered front panel providing linear, non-turbulent transition between face opening and bypass air.
- LED lighting for improved work space visibility.
- Sash pulley system utilizing four 2 1/2"-diameter pulley for one finger sash operation.
- Available in CAV and VAV styles.

Options

- Electrical switches and receptacles. (Explosion-proof lighting and fixtures available).
- Remote-controlled plumbing fixtures, with color-coded outlets.
- Pre-piped flex hosing or hard copper with propress fittings.
- Choice of sashes – vertical rising (standard); top-hung horizontal sliding; combination (vertical /horizontal).
- Sash stop.
- Ceiling enclosure.
- Air velocity monitor/alarm.
- Counter-tops – epoxy, phenolic, stainless steel.
- Cabinets – complete line of metal laboratory casework, including hood base, acid storage and flammable storage cabinets.
- Blowers – selected to match hood and ductwork configuration, corrosive or ignitable exhaust fumes.



AirGuard Pro Series

The LA-series fume hood offers the maximum in flexibility and performance with its 16-gauge superstructure allowing it to be customized to accommodate a variety of laboratory equipment and procedures. Designed to provide smooth, laminar airflow across the face of the hood, the LA Series ensures a safe working environment for its user. The angled front post design improves airflow giving it the perfect blend of affordability, efficiency, and flexibility for institutional, industrial, or clinical laboratories.

Standard Features

- Poly Resin Liner
- Powder Coat
- Stainless steel sash frame, sash guide, finger pull and airfoil.
- Three piece baffle system.
- High-flow louvered front panel providing linear, non-turbulent transition between face opening and bypass air.
- LED lighting for improved work space visibility.
- Sash pulley system utilizing four 2 1/2"-diameter pulley for one finger sash operation.
- Available in CAV and VAV styles.

Options

- Electrical switches and receptacles. (Explosion-proof lighting and fixtures available).
- Remote-controlled plumbing fixtures, with color-coded outlets.
- Pre-piped flex hosing or hard copper with propress fittings.
- Choice of sashes – vertical rising (standard); top-hung horizontal sliding; combination (vertical /horizontal).
- Sash stop.
- Ceiling enclosure.
- Air velocity monitor/alarm.
- Counter-tops – epoxy, phenolic, stainless steel.
- Cabinets – complete line of metal laboratory casework, including hood base, acid storage and flammable storage cabinets.
- Blowers – selected to match hood and ductwork configuration, corrosive or ignitable exhaust fumes.



Floor Mounted Series

The iQ floor-mounted hood is designed to handle large laboratory equipment with roll-in accessibility and can be customized to the width and depth necessary for your application. The full airfoil design of the AirGuard or Defender-Series side posts promotes smooth airflow around the sash perimeter while offering several different sash options including fully closing vertical or horizontal hung.

Standard Features

- Welded superstructure for structural rigidity and design flexibility to contain large equipment and conveyances.
- Three-piece baffle to regulate lighter-than-air and heavier-than-air gases.
- Airfoil around top and sides of sash opening, with electrical fixtures and plumbing controls mounted on bias surface.
- Two independent, full-framed, stainless steel vertical sash with integral stainless steel finger pulls.
- Stainless steel sash guides, duct collar.
- Sash/counterweight pulley system utilizing four 2 ½"-diameter pulleys for one-finger sash movement; full-width counterweight featuring "Tilt-Lock" for additional safety and durability.
- LED lighting to improve work space visibility.

Options

- Liner material – choice of nine non-asbestos materials
- Electrical switches and receptacles. Also explosion-proof lighting and fixtures available.
- Remote-controlled plumbing fixtures, with chrome or color-coded outlets. Pre-piped hard copper with soldered joints.
- Choice of sashes – vertical rising (standard); top-hung horizontal sliding; combination (vertical /horizontal)
- Ceiling enclosure
- Air velocity monitor/alarm
- Work surface – cast epoxy, dished or flat
- Blowers – selected to match hood and duct work configuration, corrosive or ignitable exhaust fumes



Double - Entry Series

The double entry fume hood has two opposing sashes to allow demonstrations from either side of the fume hood. Typical installations are on island casework or in a wall separating the classroom and prep room. The sash counterweights are concealed in either sidewall, or alternatively in one sidewall to provide for a viewing window or plumbing fixtures in the opposing wall. A sash interlock system - preventing both sashes from opening at the same time - comes standard to prevent loss of exhaust airflow.

Standard Features

- 5 widths available
- Poly Resin Liner
- Powder coat
- 16 gauge single piece superstructure design with removable side panels.
- Single top exhaust baffle.
- Wide Post (flat front) side post design can accept up to two electrical and four plumbing fixtures on one post of each sash.
- Sash interlock system.
- Full frame, stainless steel vertical sash with integral stainless steel finger pull.
- Stainless steel sash guides, duct collar.
- Sash/counterweight pulley system utilizing six 2 ½"-diameter pulleys for smooth, dependable operation.
- LED lighting for improved work space visibility.

Options

- Electrical switches and receptacles. (Explosion-proof lighting and fixtures available).
- Remote-controlled plumbing fixtures, with chrome or color-coded outlets.
- Sash stop.
- Ceiling enclosure.
- Air velocity monitor/alarm.
- Counter tops – epoxy, phenolic, stainless steel.
- Cabinets – complete line of metal laboratory casework, including hood base, acid storage and flammable storage cabinets.
- Blowers – selected to match hood and duct work configuration and application.



Radioisotope Series

The iQ Labs radioisotope fume hood is designed for safe and convenient handling of low-level radioactive material. Based on our LA-series superstructure, it features a one-piece Type 304 stainless steel interior with coved corners and integral work surface. Access to plumbing is through exterior access panels only.

Standard Features

- Powder coat
- One-piece, 16-gauge type 304 stainless steel interior curved corners welded to dished, reinforced counter top with integral cupsink, all polished to #4 finish.
- Two-piece stainless steel baffle system with adjustable upper and lower dampers to regulate lighter-than-air and heavier-than-air gases.
- Side post electrical and plumbing knockouts – on bias surface; in standard or ADA configuration.
- Full-frame, stainless steel vertical sash with integral stainless steel finger pull.
- Stainless steel sash guides, lower airfoil, duct collar.
- Sash/counterweight pulley system utilizing four 2 ½"-diameter pulleys for one-finger sash movement; full-width counterweight featuring "Tilt-Lock" for additional safety and durability.
- LED lighting.

Options

- Electrical switches and receptacles.
- Remote-controlled plumbing fixtures, with chrome outlets.
- Sash stop
- Ceiling enclosure
- Air velocity monitor/alarm
- Cabinets – complete line of metal laboratory casework, including hood base, acid storage and flammable storage cabinets
- Blowers – selected to match hood and duct work configuration, corrosive or ignitable exhaust fumes



Perchloric Series

The iQ Labs perchloric acid fume hood is designed specifically for procedures using perchloric acid. Based on our LA-series superstructure, it features a one-piece, cove-cornered Type 316 stainless steel interior with integral work surface and wash-down system. Regular use of the wash-down system cleanses the hood interior of perchloric salts, which drain into a full-length sloped trough contained in the work surface. Access to plumbing is through exterior access panels only. Due to the extreme reactivity of perchloric acid, this hood should be used **FOR PERCHLORIC ACID ONLY**.

Standard Features

- One-piece 16-gage Type 316 stainless steel interior – coved corners welded to dished, reinforced countertop with integral cup-sink and full-length sloped trough; all surfaces are polished to #4 finish.
- High-volume wash-down tube with remote control cold water valve.
- Two-piece Type 316 stainless steel baffle system with adjustable upper and lower dampers to regulate lighter and heavier-than-air gases.
- Side post electrical and plumbing knockouts – on bias surface; in standard or ADA configuration.
- Full frame, Type 316 stainless steel vertical sash with integral stainless steel finger pull.
- Type 316 stainless steel sash guides, lower airfoil, duct collar.
- Sash/counterweight pulley system utilizing four 2 ½"-diameter pulleys for one-finger sash movement; full-width counterweight featuring "Tilt-Lock" for additional safety and durability.



Options

- Electrical switches and receptacles
- Remote-controlled plumbing fixtures, with chrome outlets.
- Sash stop
- Ceiling enclosure
- Air velocity monitor/alarm
- Automatic sash closer
- Cabinets – complete line of metal laboratory casework, including hood base, acid storage and flammable storage cabinets
- Blowers – selected to match hood and duct work configuration, corrosive or ignitable exhaust fumes



LABS

On the web: www.iq-laboratory.com

Sales: sales@iq-laboratory.com

General: info@iq-laboratory.com

Call us: 616.583.8882

Visit us: 6172 Valduga Dr Sw, Ste B, Byron Center, MI 49315

