

1957

iQ

LABS

**We don't just build
products, we build
relationships that create
better products.**

The iQ Story

Located in Byron Center, Michigan and originally founded in 1957 under the name Iroquois Industries, iQ Labs has been built on the tradition of innovation, performance and durability, which we manufacture into each of our products. The company has grown from primarily manufacturing fume hoods to now offering complete laboratory fit-out solutions.

With a comprehensive line of bench-top, floor mounted, and teaching fume hoods, including a wide selection of hood accessories, laboratory casework, epoxy and stainless-steel counter tops to blower motors, we can bring your next project to life. With a reputation for exceptional value, our products can be found in educational, industrial, pharmaceutical and government laboratories around the world.

We offer custom design, metal fabrication, assembly, quick-ship products and ready access to our knowledgeable staff at every phase of the project. You can expect our quality and timely delivery to satisfy the most complex project requirements.

The iQ Difference

Why should you work with iQ Labs? Well - there are many reasons to work with us and it is called the iQ Difference. You can count on us for all of the following to create innovative solutions for your modern laboratory needs:

- Engineering & Design Services
- Metal Casework, Bench and Table Systems, Fume Hoods, Accessories
- Custom Fabrication
- Manufactured in the USA
- 60+ Years of Mfg Experience
- Quick-ship Product Available
- Dedicated Sales & Service Team

We create solutions for the future, built on timeless values:

- Be Honest
- Deliver Quality
- Take care of your customer

Table of Contents

Casework	4
Product Numbering System	5
Product Specifications	5
Base Cabinets - 35"	6 - 11
35" Fume Hood and Sink Base Cabinets	12 - 13
29" Base Cabinets	13 - 16
Mobile Base Cabinets	16
Corner Base Cabinets	17
Flammable Storage Cabinets	18
Acid Storage Cabinets	18
Counter-tops	19
Wall Cases	20 - 22
Wall Corner Cases	22
Floor Cases	23 - 24
Aprons	25
Knead Space Rails and Panels	26
Utility Tables	27 - 28
Filler Panels	28
Accessories	29 - 30
Fume Hoods	31
Bench-Top Fume Hoods Options	32
Fume Hood Series	33 - 38



Casework

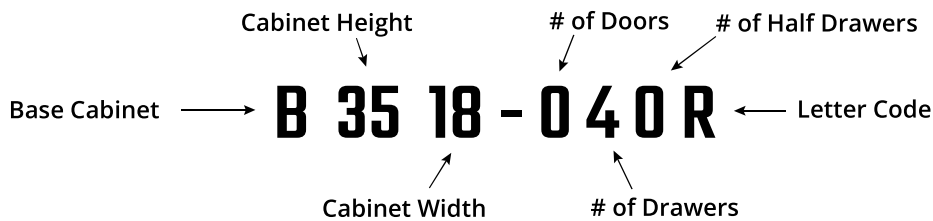
Following our half-century tradition of manufacturing high quality laboratory equipment, we offer a complete line of metal casework for the rigorous demands of the professional laboratory.

iQ Labs is your go-to for laboratory furnishings, where you will get the highest quality, durable products to meet your needs. Whether you are designing your space from scratch or wish to renovate an existing one, we have you covered with choices that fit your needs.. We are one of the fastest-growing lab casework suppliers in Michigan providing customized solutions to suit your lab or educational space. Our team ensures the lab cabinets are customized according to your environment and we promise extraordinary fit and finish in every product that we sell. Our commitment is to build the best cabinets that can stand up to the harshest of environments but still have the flexibility to be used for many different purposes.



Product Numbering System

All iQ Labs casework uses a simple product numbering system based on the products' configuration. Unless otherwise indicated, numbers before the dash indicate product type and nominal dimensions, while numbers after the dash indicate (in order) the number of doors, drawers, and half-high drawers



Number Code•

- 1st Letter = Type of Product
- 1st Number = Height
- 2nd Number = Width
- 3rd Number = # of Doors
- 4th Number = # of Full Drawers
- 5th Number = # of Half Drawers
- 2nd Letter = See Letter Code

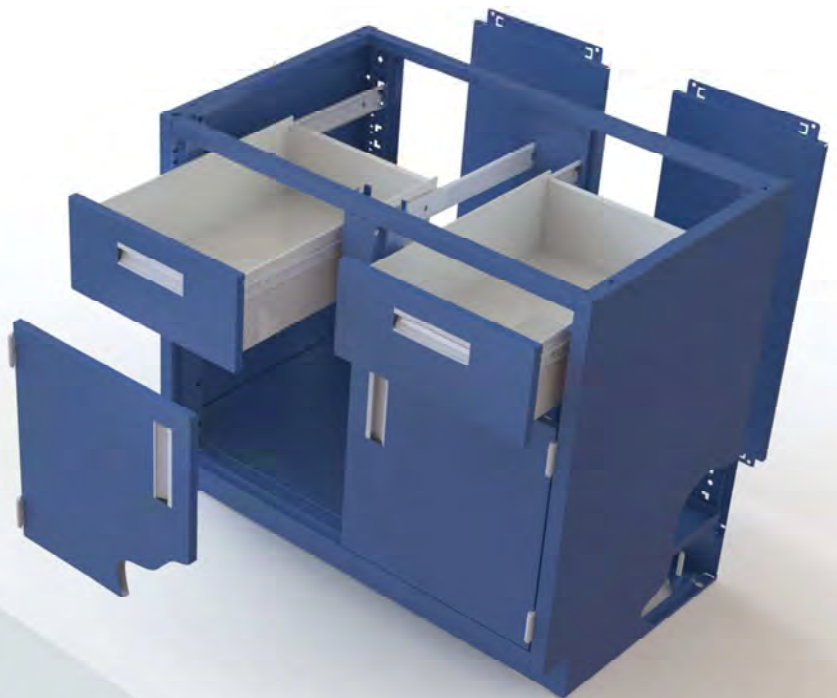
Letter Code•

- R = Hinge on Right
- L = Hinge on Left
- GH = Glass Hinged
- GS = Glass Sliding
- GSF = Glass Sliding Framed
- SH = Steel Hinged
- SS = Steel Sliding
- I = Island
- P = Panel
- S = Sink Cabinet
- B = Bin Drawer
- F = File Drawer
- SP = Solid Panel

Product Specifications

- Epoxy, Powder-coat.
- Built with 18 gauge premium cold rolled steel.
- Removable backs and removable bottoms for easy installation and cleaning.
- Full-extension, heavy-duty, ball-bearing drawer slides.
- Chemically resistant epoxy powder coat.
- Stainless steel, five-knuckle door hinges.
- SEFA Compliant.

Aprons	18 Gauge
Back Panels	20 Gauge
Bottom Panels	18 Gauge
Drawer Outer Panels	20 Gauge
Drawer Bodies	20 Gauge
Door Inner/Outer Panels	20 Gauge
Shelves	18 Gauge
Side Panels	18 Gauge



Base Cabinets - 35" High

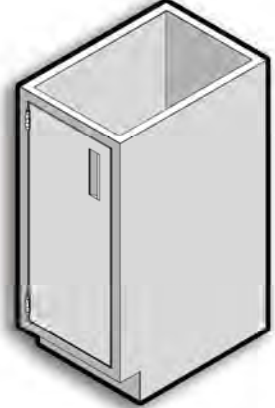
Counter/standing height (35" high) base cabinets come in a wide variety of widths and door/drawer combinations. All cabinets are 22" deep and come standard with one shelf. Additional shelves are available.



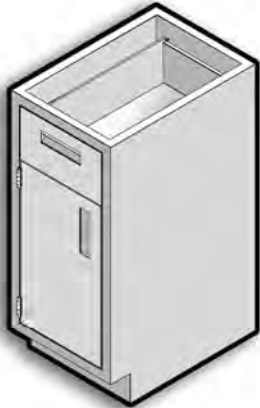
B 35 15 - 000
B 35 18 - 000
B 35 24 - 000



B 35 15 - 100 L
B 35 18 - 100 L
B 35 24 - 100 L



B 35 15 - 100 R
B 35 18 - 100 R
B 35 24 - 100 R



B 35 15 - 110 L
B 35 18 - 110 L
B 35 24 - 110 L



B 35 15 - 110 R
B 35 18 - 110 R
B 35 24 - 110 R



B 35 15 - 102 L
B 35 18 - 102 L
B 35 24 - 102 L



B 35 15 - 102 R
B 35 18 - 102 R
B 35 24 - 102 R



B 35 15 - F20
B 35 18 - F20
B 35 24 - F20



B 35 15 - 040
B 35 18 - 040
B 35 24 - 040

Base Cabinets - 35" High



B 35 15 - 032
 B 35 18 - 032
 B 35 24 - 032



B 35 15 - 024
 B 35 18 - 024
 B 35 24 - 024



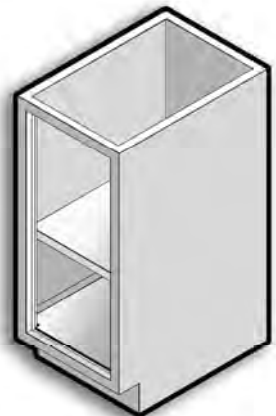
B 35 15 - 008
 B 35 18 - 008
 B 35 24 - 008



B 35 15 - F12
 B 35 18 - F12
 B 35 24 - F12



B 35 15 - FF0
 B 35 18 - FF0
 B 35 24 - FF0



B 35 30 - 000
 B 35 36 - 000
 B 35 42 - 000
 B 35 48 - 000



B 35 30 - 200
 B 35 36 - 200
 B 35 42 - 200
 B 35 48 - 200



B 35 30 - 110 (L) SP
 B 35 36 - 110 (L) SP
 B 35 42 - 110 (L) SP
 B 35 48 - 110 (L) SP



B 35 30 - 110 (R) SP
 B 35 36 - 110 (R) SP
 B 35 42 - 110 (R) SP
 B 35 48 - 110 (R) SP

Base Cabinets - 35" High



B 35 30 - 210
 B 35 36 - 210
 B 35 42 - 210
 B 35 48 - 210



B 35 30 - 220
 B 35 36 - 220
 B 35 42 - 220
 B 35 48 - 220



B 35 30 - 212A
 B 35 36 - 212A
 B 35 42 - 212A
 B 35 48 - 212A



B 35 30 - 212B
 B 35 36 - 212B
 B 35 42 - 212B
 B 35 48 - 212B



B 35 30 - 204
 B 35 36 - 204
 B 35 42 - 204
 B 35 48 - 204



B 35 30 - 104B (L)
 B 35 36 - 104B (L)
 B 35 42 - 104B (L)
 B 35 48 - 104B (L)



B 35 30 - 104B (R)
 B 35 36 - 104B (R)
 B 35 42 - 104B (R)
 B 35 48 - 104B (R)

Base Cabinets - 35" High



B 35 30 - 150 (L)
 B 35 36 - 150 (L)
 B 35 42 - 150 (L)
 B 35 48 - 150 (L)



B 35 30 - 150 (R)
 B 35 36 - 150 (R)
 B 35 42 - 150 (R)
 B 35 48 - 150 (R)



B 35 30 - 142 (L)
 B 35 36 - 142 (L)
 B 35 42 - 142 (L)
 B 35 48 - 142 (L)



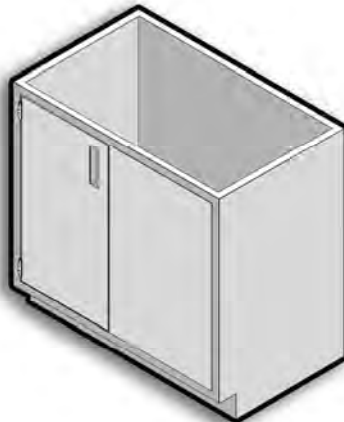
B 35 30 - 142 (R)
 B 35 36 - 142 (R)
 B 35 42 - 142 (R)
 B 35 48 - 142 (R)



B 35 30 - 132 (L)
 B 35 36 - 132 (L)
 B 35 42 - 132 (L)
 B 35 48 - 132 (L)



B 35 30 - 132 (R)
 B 35 36 - 132 (R)
 B 35 42 - 132 (R)
 B 35 48 - 132 (R)



B 35 30 - 100 (L) SP
 B 35 36 - 100 (L) SP
 B 35 42 - 100 (L) SP
 B 35 48 - 100 (L) SP



B 35 30 - 100 (R) SP
 B 35 36 - 100 (R) SP
 B 35 42 - 100 (R) SP
 B 35 48 - 100 (R) SP



B 35 30 - 140A (L)
 B 35 36 - 140A (L)
 B 35 42 - 140A (L)
 B 35 48 - 140A (L)

Base Cabinets - 35" High



B 35 30 - 140A (R)
 B 35 36 - 140A (R)
 B 35 42 - 140A (R)
 B 35 48 - 140A (R)



B 35 30 - 134 (L)
 B 35 36 - 134 (L)
 B 35 42 - 134 (L)
 B 35 48 - 134 (L)



B 35 30 - 134 (R)
 B 35 36 - 134 (R)
 B 35 42 - 134 (R)
 B 35 48 - 134 (R)



B 35 30 - 048A
 B 35 36 - 048A
 B 35 42 - 048A
 B 35 48 - 048A



B 35 30 - 048B
 B 35 36 - 048B
 B 35 42 - 048B
 B 35 48 - 048B



B 35 30 - 040
 B 35 36 - 040
 B 35 42 - 040
 B 35 48 - 040



B 35 30 - 050
 B 35 36 - 050
 B 35 42 - 050
 B 35 48 - 050



B 35 30 - 060
 B 35 36 - 060
 B 35 42 - 060
 B 35 48 - 060



B 35 30 - 080
 B 35 36 - 080
 B 35 42 - 080
 B 35 48 - 080

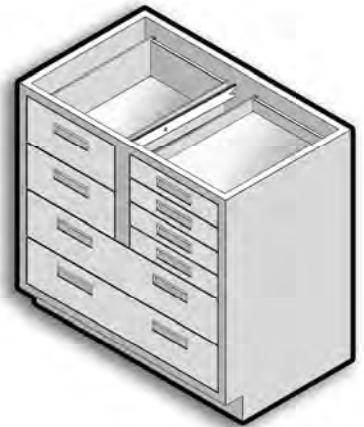
Base Cabinets - 35" High



B 35 30 - 024
 B 35 36 - 024
 B 35 42 - 024
 B 35 48 - 024



B 35 30 - 032
 B 35 36 - 032
 B 35 42 - 032
 B 35 48 - 032



B 35 30 - 044A
 B 35 36 - 044A
 B 35 42 - 044A
 B 35 48 - 044A



B 35 30 - 044B
 B 35 36 - 044B
 B 35 42 - 044B
 B 35 48 - 044B



B 35 30 - 048C
 B 35 36 - 048C
 B 35 42 - 048C
 B 35 48 - 048C



B 35 30 - 070A
 B 35 36 - 070A
 B 35 42 - 070A
 B 35 48 - 070A



B 35 30 - 070B
 B 35 36 - 070B
 B 35 42 - 070B
 B 35 48 - 070B

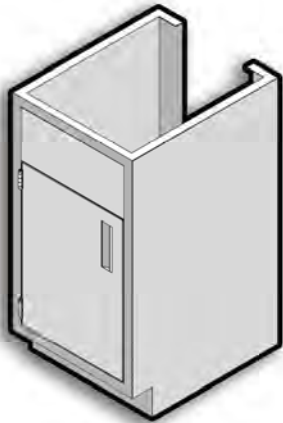


B 35 30 - 052
 B 35 36 - 052
 B 35 42 - 052
 B 35 48 - 052

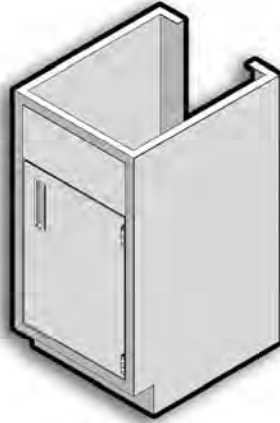


B 35 30 - 008
 B 35 36 - 008
 B 35 42 - 008
 B 35 48 - 008

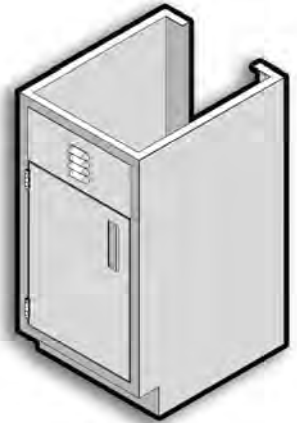
Fume Hood & Sink Base Cabinets - 35" High



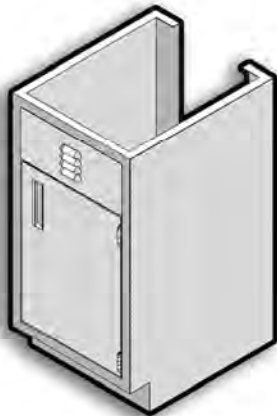
Sink Base
 B 35 18 - 10S (L)
 B 35 24 - 10S (L)



Sink Base
 B 35 18 - 10S (R)
 B 35 24 - 10S (R)



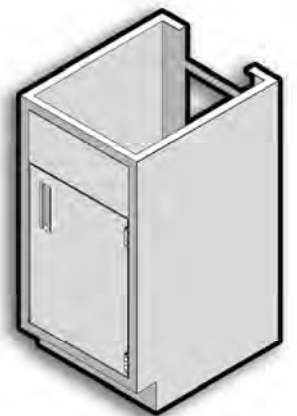
Sink Base
 B 35 18 - 10S (L) (Louvered)
 B 35 24 - 10S (L) (Louvered)



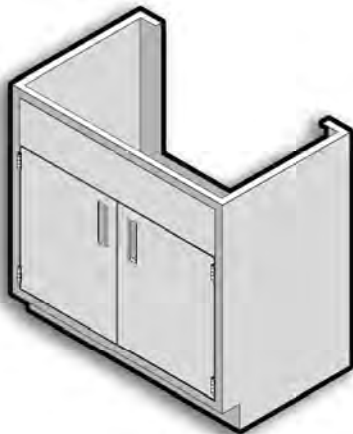
Sink Base
 B 35 18 - 10S (R) (Louvered)
 B 35 24 - 10S (R) (Louvered)



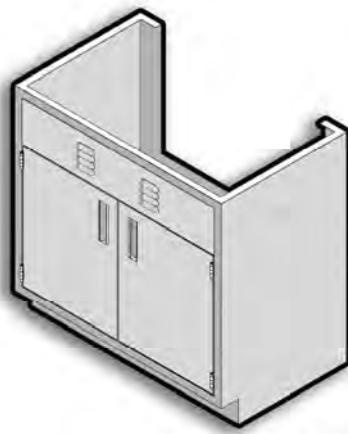
Hood Base
 B 35 18 - 10P (L)
 B 35 24 - 10P (L)



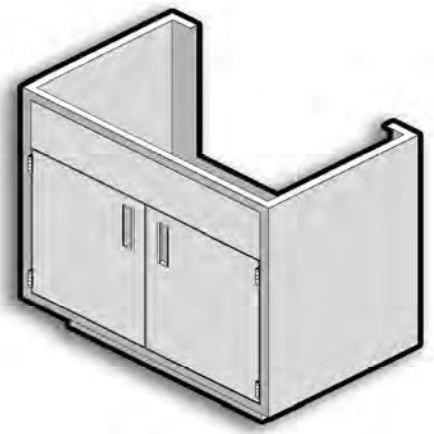
Hood Base
 B 35 18 - 10P (R)
 B 35 24 - 10P (R)



Sink Base
 B 35 30 - 20S
 B 35 36 - 20S
 B 35 42 - 20S
 B 35 48 - 20S
 B 35 52 - 20S
 B 35 58 - 20S

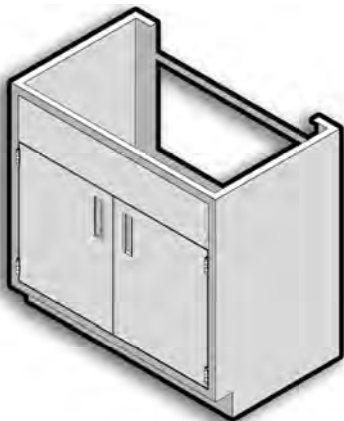


Louvered Sink Base
 B 35 30 - 20S (Louvered)
 B 35 36 - 20S (Louvered)
 B 35 42 - 20S (Louvered)
 B 35 48 - 20S (Louvered)
 B 35 52 - 20S (Louvered)
 B 35 58 - 20S (Louvered)



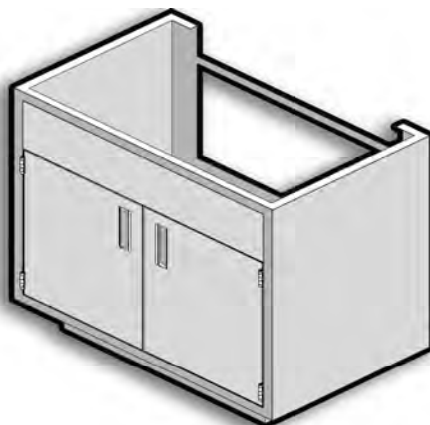
Sink Island Base
 B 35 52 - 20SI
 B 35 58 - 20SI

Fume Hood & Sink Base Cabinets - 35" High



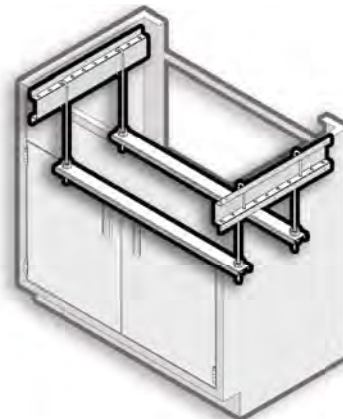
Hood Base

B 35 30 - 20P
 B 35 36 - 20P
 B 35 42 - 20P
 B 35 48 - 20P
 B 35 52 - 20P
 B 35 58 - 20P



Hood Island Base

B 35 52 - 20PI
 B 35 58 - 20PI

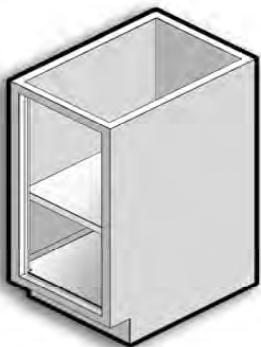


Sink Support Assembly

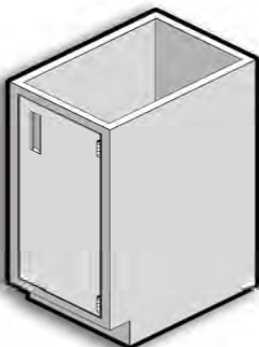
S Support - C14
 S Support - 18
 S Support - 24
 S Support - 30
 S Support - 36
 S Support - 48
 S Support - 52
 S Support - 58

Base Cabinets - 29" High

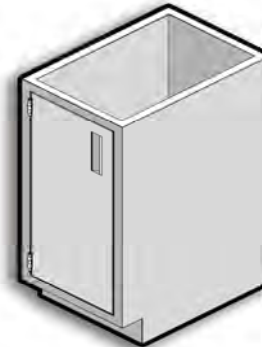
Sitting/desk height (29" high) base cabinets come in a wide variety of widths and door/drawer combinations. All cabinets are 22" deep and come standard with one shelf. Additional shelves are available.



B 29 15 - 000
 B 29 18 - 000
 B 29 24 - 000
 B 29 30 - 000
 B 29 36 - 000
 B 29 42 - 000
 B 29 48 - 000



B 29 15 - 100 L
 B 29 18 - 100 L
 B 29 24 - 100 L



B 29 15 - 100 R
 B 29 18 - 100 R
 B 29 24 - 100 R

Base Cabinets - 29" High



B 29 15 - 110 L
 B 29 18 - 110 L
 B 29 24 - 110 L



B 29 15 - 110 R
 B 29 18 - 110 R
 B 29 24 - 110 R



B 29 15 - 102 L
 B 29 18 - 102 L
 B 29 24 - 102 L



B 29 15 - 102 R
 B 29 18 - 102 R
 B 29 24 - 102 R



B 29 15 - 030
 B 29 18 - 030
 B 29 24 - 030



B 29 15 - F10
 B 29 18 - F10
 B 29 24 - F10



B 29 15 - B11
 B 29 18 - B11
 B 29 24 - B11



B 29 15 - 022
 B 29 18 - 022
 B 29 24 - 022



B 29 15 - F02
 B 29 18 - F02
 B 29 24 - F02

Base Cabinets - 29" High



B 29 15 - 006
 B 29 18 - 006
 B 29 24 - 006



B 29 30 - 200
 B 29 36 - 200
 B 29 42 - 200
 B 29 48 - 200



B 29 30 - 210
 B 29 36 - 210
 B 29 42 - 210
 B 29 48 - 210



B 29 30 - 220
 B 29 36 - 220
 B 29 42 - 220
 B 29 48 - 220



B 29 30 - 040
 B 29 36 - 040
 B 29 42 - 040
 B 29 48 - 040



B 29 30 - 050
 B 29 36 - 050
 B 29 42 - 050
 B 29 48 - 050



B 29 30 - 060
 B 29 36 - 060
 B 29 42 - 060
 B 29 48 - 060

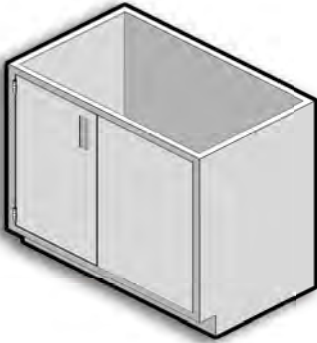


B 29 30 - 044
 B 29 36 - 044
 B 29 42 - 044
 B 29 48 - 044



B 29 30 - 006
 B 29 36 - 006
 B 29 42 - 006
 B 29 48 - 006

Base Cabinets - 29" High



B 29 30 - 100 (L) SP
 B 29 36 - 100 (L) SP
 B 29 42 - 100 (L) SP
 B 29 48 - 100 (L) SP



B 29 30 - 100 (R) SP
 B 29 36 - 100 (R) SP
 B 29 42 - 100 (R) SP
 B 29 48 - 100 (R) SP



B 29 30 - 110 (L) SP
 B 29 36 - 110 (L) SP
 B 29 42 - 110 (L) SP
 B 29 48 - 110 (L) SP



B 29 30 - 110 (R) SP
 B 29 36 - 110 (R) SP
 B 29 42 - 110 (R) SP
 B 29 48 - 110 (R) SP

Mobile Base Cabinets

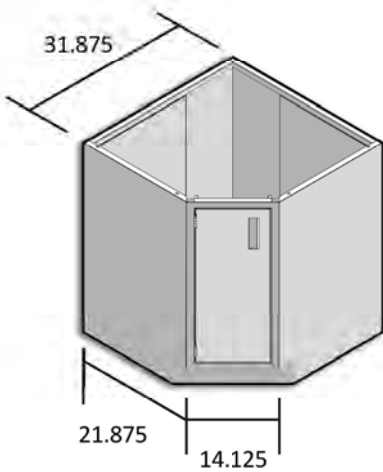


MB 29 15 - 030
 MB 29 18 - 030
 MB 29 24 - 030
 MB 29 30 - 030



MB 29 15 - 040
 MB 29 18 - 040
 MB 29 24 - 040
 MB 29 30 - 040

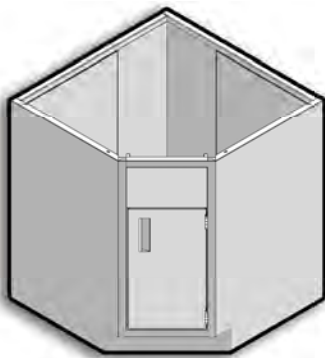
Corner Base Cabinets



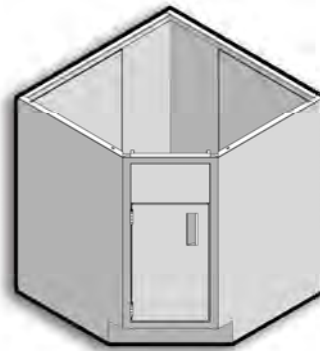
CB 29 14 - 100(R)
CB 35 14 - 100(R)



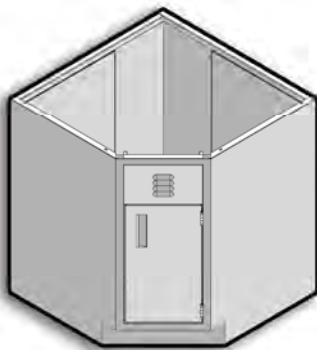
CB 29 14 - 100(L)
CB 35 14 - 100(L)
Shown with optional lazy Susan



CB 29 14 - 10S(L)
CB 35 14 - 10S(L)



CB 29 14 - 10S(R)
CB 35 14 - 10S(R)



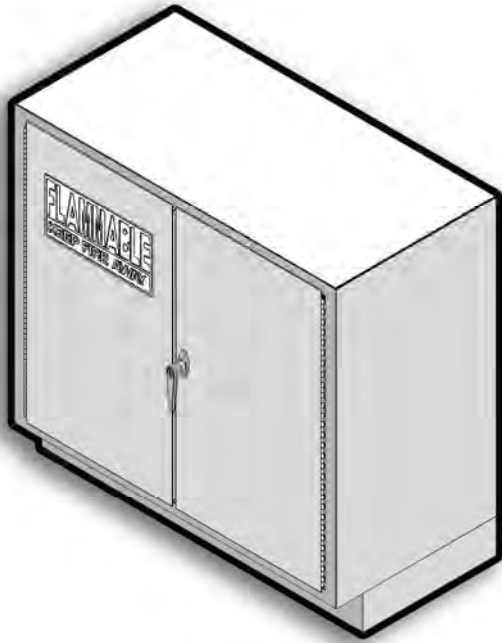
CB 29 14 - 10S(L) Louvered
CB 35 14 - 10S(L) Louvered



CB 29 14 - 10S(R) Louvered
CB 35 14 - 10S(R) Louvered

Flammable Storage Cabinets

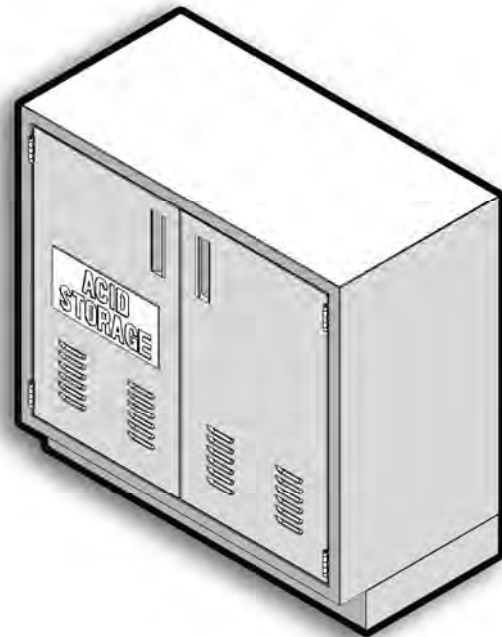
Flammable storage cabinets are double-walled constructed with insulation. All cabinets are available in 18" and 22" deep and come standard with one shelf.



Flam 29 24 - 100
Flam 29 30 - 200
Flam 29 36 - 200
Flam 29 42 - 200
Flam 29 48 - 200
Flam 29 52 - 200
Flam 29 58 - 200
Flam 35 24 - 100
Flam 35 30 - 200
Flam 35 36 - 200
Flam 35 42 - 200
Flam 35 48 - 200
Flam 35 52 - 200
Flam 35 58 - 200

Acid Storage Cabinets

Acid storage cabinets are lined with polyethylene for maximum corrosion protection. All cabinets are available in 18" and 22" deep and come standard with one shelf.



Acid 29 18 - 10P
Acid 29 24 - 10P
Acid 29 30 - 20P
Acid 29 36 - 20P
Acid 29 42 - 20P
Acid 29 48 - 20P
Acid 29 52 - 20P
Acid 29 58 - 20P
Acid 35 18 - 10P
Acid 35 24 - 10P
Acid 35 30 - 20P
Acid 35 36 - 20P
Acid 35 42 - 20P
Acid 35 48 - 20P
Acid 35 52 - 20P
Acid 35 58 - 20P

Counter Tops

Maximum Chemical Resistance

Phenolic Resin

- A solid composite fused under heat and pressure.
- Excellent chemical resistance.
- Uniform throughout.
- 1" thick = 7.2 lbs./sq. ft.
- Field cut with carbide blades and bits.
- Color: Black – also available in colors and patterns with a modified surface.

Epoxy Resin

- A molded monolithic epoxy.
- Excellent chemical resistance.
- Uniform throughout.
- 1" thick = 11.5 lbs./sq. ft.
- Specific molds for contoured work surfaces and sinks.
- Standard fume hood deck – dished epoxy.
- Color: Black – other colors available.



Moderate Chemical Resistance

Chemsurf Laminate

- Modified resin surface laminate
- Enhanced for chemical resistance
- Moderately lower cost
- Many colors and patterns to showcase

Laminated Phenolic Core

- Chemical resistant laminate
- Moderately lower cost
- Many colors and patterns to showcase

Special Purpose Tops

Standard Laminate

- For chemical-free surfaces
- Lower cost
- Colors and patterns for any decor

Stainless Steel

- Conductive
- Easy to clean
- Costly

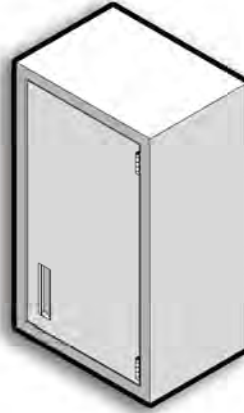
Wall Cases

Wall cases are 13" deep and come standard with one, two or three shelves, depending upon the height of the unit. Non-standard 16"-deep wall cases are also available. To order a 16" deep unit, please add the suffix -16(deep) after the product number.

Wall cases 30" wide and wider may be ordered as dual-entry units. Dual-entry units are open on two sides or have doors on two sides, to allow access from two directions. To order a dual-entry unit, add the suffix -2SidesOpen after the product number, and double the number of doors (the first number after the dash) from 2 to 4. For example, the product number for a 30" x 36" dual-entry wall case with glass hinged doors would be Wall 30(h)36(w)-4GH-2SidesOpen.



Wall 24 18 - 1SH(L)
 Wall 30 18 - 1SH(L)
 Wall 36 18 - 1SH(L)
 Wall 48 18 - 1SH(L)
 Wall 24 24 - 1SH(L)
 Wall 30 24 - 1SH(L)
 Wall 36 24 - 1SH(L)
 Wall 48 24 - 1SH(L)



Wall 24 18 - 1SH(R)
 Wall 30 18 - 1SH(R)
 Wall 36 18 - 1SH(R)
 Wall 48 18 - 1SH(R)
 Wall 24 24 - 1SH(R)
 Wall 30 24 - 1SH(R)
 Wall 36 24 - 1SH(R)
 Wall 48 24 - 1SH(R)

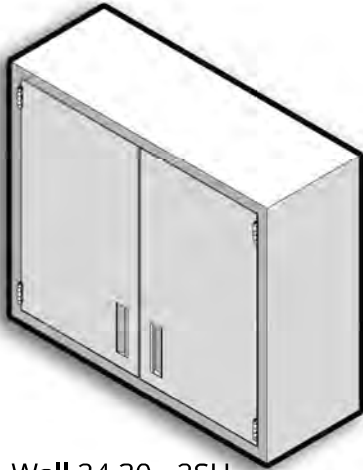


Wall 24 18 - 1GH(L)
 Wall 30 18 - 1GH(L)
 Wall 36 18 - 1GH(L)
 Wall 48 18 - 1GH(L)
 Wall 24 24 - 1GH(L)
 Wall 30 24 - 1GH(L)
 Wall 36 24 - 1GH(L)
 Wall 48 24 - 1GH(L)

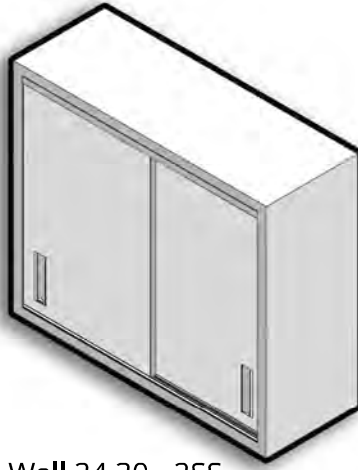


Wall 24 18 - 1GH(R)
 Wall 30 18 - 1GH(R)
 Wall 36 18 - 1GH(R)
 Wall 48 18 - 1GH(R)
 Wall 24 24 - 1GH(R)
 Wall 30 24 - 1GH(R)
 Wall 36 24 - 1GH(R)
 Wall 48 24 - 1GH(R)

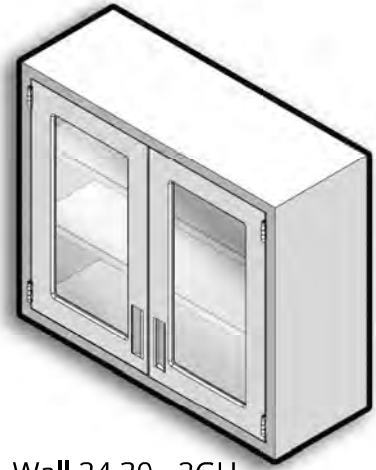
Wall Cases



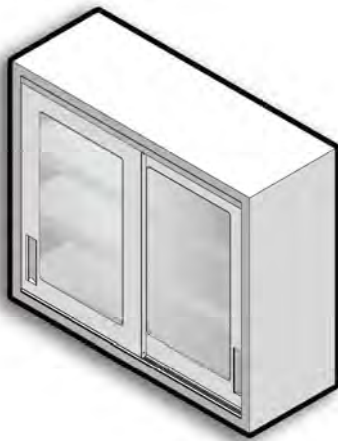
Wall 24 30 - 2SH
 Wall 24 36 - 2SH
 Wall 24 42 - 2SH
 Wall 24 48 - 2SH
 Wall 30 30 - 2SH
 Wall 30 36 - 2SH
 Wall 30 42 - 2SH
 Wall 30 48 - 2SH
 Wall 36 30 - 2SH
 Wall 36 36 - 2SH
 Wall 36 42 - 2SH
 Wall 36 48 - 2SH
 Wall 48 30 - 2SH
 Wall 48 36 - 2SH
 Wall 48 42 - 2SH
 Wall 48 48 - 2SH



Wall 24 30 - 2SS
 Wall 24 36 - 2SS
 Wall 24 42 - 2SS
 Wall 24 48 - 2SS
 Wall 30 30 - 2SS
 Wall 30 36 - 2SS
 Wall 30 42 - 2SS
 Wall 30 48 - 2SS
 Wall 36 30 - 2SS
 Wall 36 36 - 2SS
 Wall 36 42 - 2SS
 Wall 36 48 - 2SS
 Wall 48 30 - 2SS
 Wall 48 36 - 2SS
 Wall 48 42 - 2SS
 Wall 48 48 - 2SS



Wall 24 30 - 2GH
 Wall 24 36 - 2GH
 Wall 24 42 - 2GH
 Wall 24 48 - 2GH
 Wall 30 30 - 2GH
 Wall 30 36 - 2GH
 Wall 30 42 - 2GH
 Wall 30 48 - 2GH
 Wall 36 30 - 2GH
 Wall 36 36 - 2GH
 Wall 36 42 - 2GH
 Wall 36 48 - 2GH
 Wall 48 30 - 2GH
 Wall 48 36 - 2GH
 Wall 48 42 - 2GH
 Wall 48 48 - 2GH



Wall 24 30 - 2GS
 Wall 24 36 - 2GS
 Wall 24 42 - 2GS
 Wall 24 48 - 2GS
 Wall 30 30 - 2GS
 Wall 30 36 - 2GS
 Wall 30 42 - 2GS
 Wall 30 48 - 2GS
 Wall 36 30 - 2GS
 Wall 36 36 - 2GS
 Wall 36 42 - 2GS
 Wall 36 48 - 2GS
 Wall 48 30 - 2GS
 Wall 48 36 - 2GS
 Wall 48 42 - 2GS
 Wall 48 48 - 2GS



Wall 24 30 - 2GFS
 Wall 24 36 - 2GFS
 Wall 24 42 - 2GFS
 Wall 24 48 - 2GFS
 Wall 30 30 - 2GFS
 Wall 30 36 - 2GFS
 Wall 30 42 - 2GFS
 Wall 30 48 - 2GFS
 Wall 36 30 - 2GFS
 Wall 36 36 - 2GFS
 Wall 36 42 - 2GFS
 Wall 36 48 - 2GFS
 Wall 48 30 - 2GFS
 Wall 48 36 - 2GFS
 Wall 48 42 - 2GFS
 Wall 48 48 - 2GFS

Wall Cases



Wall 24 18 - 000
 Wall 24 24 - 000
 Wall 24 30 - 000
 Wall 24 36 - 000
 Wall 24 42 - 000
 Wall 24 48 - 000

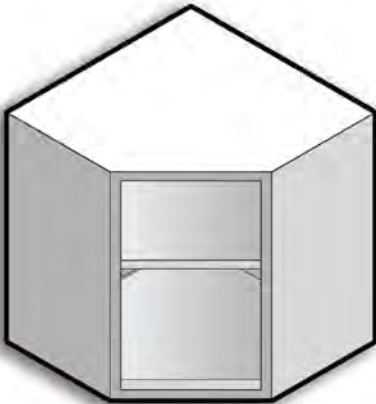
Wall 36 18 - 000
 Wall 36 24 - 000
 Wall 36 30 - 000
 Wall 36 36 - 000
 Wall 36 42 - 000
 Wall 36 48 - 000

Wall 30 18 - 000
 Wall 30 24 - 000
 Wall 30 30 - 000
 Wall 30 36 - 000
 Wall 30 42 - 000
 Wall 30 48 - 000

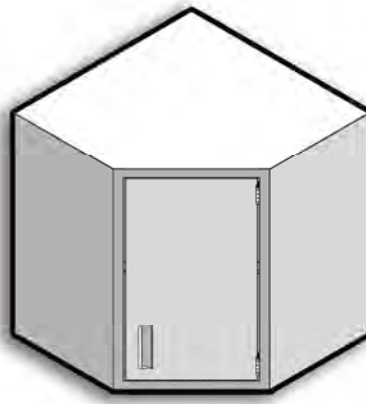
Wall 48 18 - 000
 Wall 48 24 - 000
 Wall 48 30 - 000
 Wall 48 36 - 000
 Wall 48 42 - 000
 Wall 48 48 - 000

Wall Corner Cases

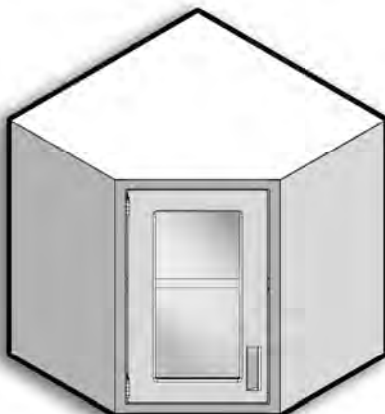
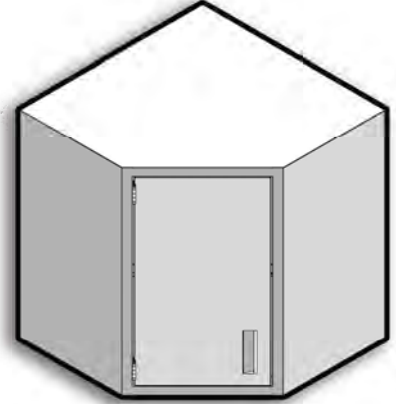
Corner wall cases are 13" deep; non-standard 16"-deep wall cases are also available. To order a 16" deep unit, please add the suffix -16(deep) after the product number.



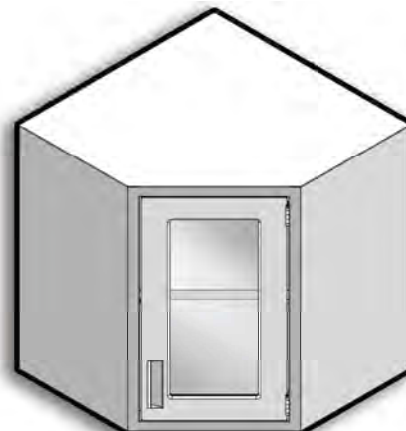
Wall Corner 30 18 - 000
 Wall Corner 36 18 - 000



Wall Corner 30 18 - 1SH (L or R)



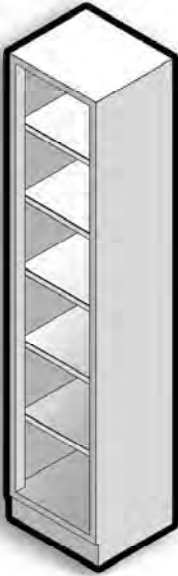
Wall Corner 30 18 - 1GH (L)
 Wall Corner 36 18 - 1GH (L)



Wall Corner 30 18 - 1GH (R)
 Wall Corner 36 18 - 1GH (R)

Floor Cases

Floor cases are 84" high and are available in depths of either 16" or 21.25".
All units come standard with five shelves.



Floor Case 18 16 - 000
Floor Case 18 21 - 000
Floor Case 24 16 - 000
Floor Case 24 21 - 000



Floor Case 18 16 - 1SH (L)
Floor Case 18 21 - 1SH (L)
Floor Case 24 16 - 1SH (L)
Floor Case 24 21 - 1SH (L)



Floor Case 18 16 - 1SH (R)
Floor Case 18 21 - 1SH (R)
Floor Case 24 16 - 1SH (R)
Floor Case 24 21 - 1SH (R)



Floor Case 18 16 - 1GH (L)
Floor Case 18 21 - 1GH (L)
Floor Case 24 16 - 1GH (L)
Floor Case 24 21 - 1GH (L)



Floor Case 18 16 - 1GH (R)
Floor Case 18 21 - 1GH (R)
Floor Case 24 16 - 1GH (R)
Floor Case 24 21 - 1GH (R)



Floor Case 30 16 - 000
Floor Case 30 21 - 000
Floor Case 36 16 - 000
Floor Case 36 21 - 000
Floor Case 42 16 - 000
Floor Case 42 21 - 000
Floor Case 48 16 - 000
Floor Case 48 21 - 000

Floor Cases



Floor Case 30 16 - 2SH
 Floor Case 30 21 - 2SH
 Floor Case 36 16 - 2SH
 Floor Case 36 21 - 2SH
 Floor Case 42 16 - 2SH
 Floor Case 42 21 - 2SH
 Floor Case 48 16 - 2SH
 Floor Case 48 21 - 2SH



Floor Case 30 16 - 2SS
 Floor Case 30 21 - 2SS
 Floor Case 36 16 - 2SS
 Floor Case 36 21 - 2SS
 Floor Case 42 16 - 2SS
 Floor Case 42 21 - 2SS
 Floor Case 48 16 - 2SS
 Floor Case 48 21 - 2SS



Floor Case 30 16 - 2GSF
 Floor Case 30 21 - 2GSF
 Floor Case 36 16 - 2GSF
 Floor Case 36 21 - 2GSF
 Floor Case 42 16 - 2GSF
 Floor Case 42 21 - 2GSF
 Floor Case 48 16 - 2GSF
 Floor Case 48 21 - 2GSF

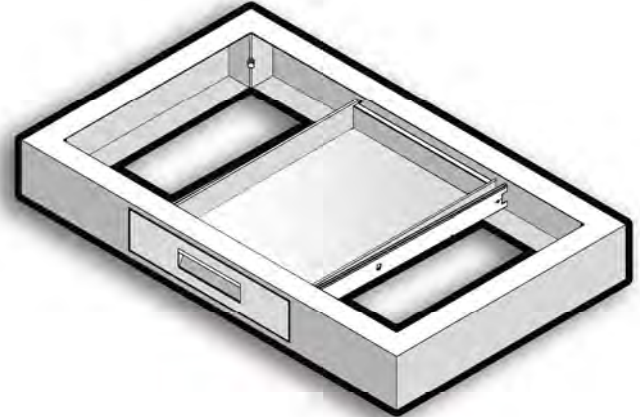
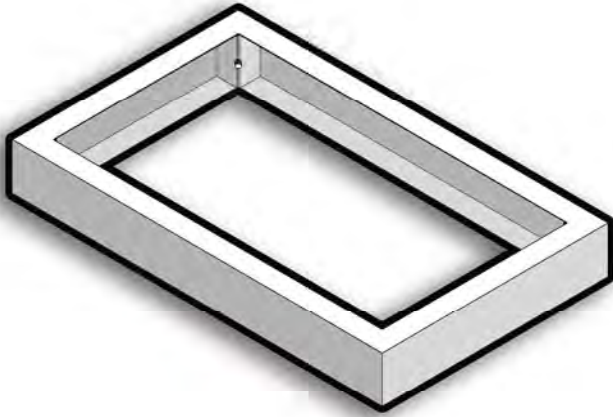


Floor Case 30 16 - 2GH
 Floor Case 30 21 - 2GH
 Floor Case 36 16 - 2GH
 Floor Case 36 21 - 2GH
 Floor Case 42 16 - 2GH
 Floor Case 42 21 - 2GH
 Floor Case 48 16 - 2GH
 Floor Case 48 21 - 2GH

Aprons

Aprons are 4.5" high and come in standard depths of 22" and 28." The numbers after the dash indicate the number of drawers in a unit.

For example, a product number ending in - 001 means that the unit has one drawer.

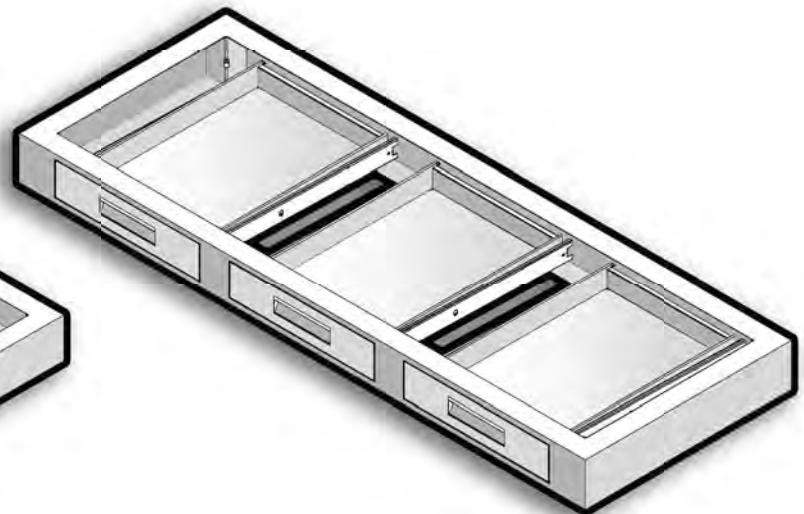
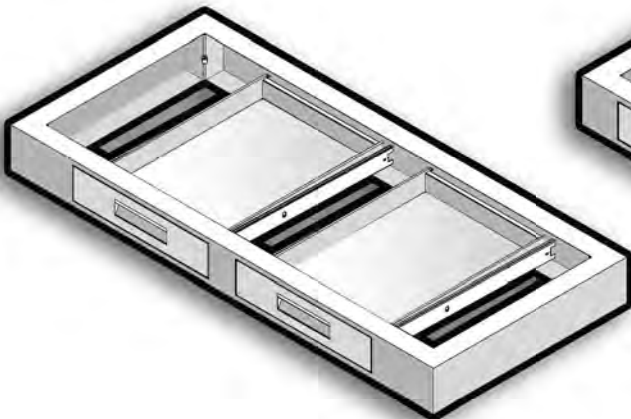


Apron 24 22 - 000
 Apron 30 22 - 000
 Apron 36 22 - 000
 Apron 42 22 - 000
 Apron 48 22 - 000
 Apron 54 22 - 000
 Apron 60 22 - 000
 Apron 66 22 - 000
 Apron 72 22 - 000

Apron 24 28 - 000
 Apron 30 28 - 000
 Apron 36 28 - 000
 Apron 42 28 - 000
 Apron 48 28 - 000
 Apron 54 28 - 000
 Apron 60 28 - 000
 Apron 66 28 - 000
 Apron 72 28 - 000

Apron 24 22 - 001
 Apron 30 22 - 001
 Apron 36 22 - 001
 Apron 42 22 - 001

 Apron 24 28 - 001
 Apron 30 28 - 001
 Apron 36 28 - 001
 Apron 42 28 - 001



Apron 42 22 - 002
 Apron 48 22 - 002
 Apron 54 22 - 002
 Apron 60 22 - 002
 Apron 66 22 - 002
 Apron 72 22 - 002

Apron 42 28 - 002
 Apron 48 28 - 002
 Apron 54 28 - 002
 Apron 60 28 - 002
 Apron 66 28 - 002
 Apron 72 28 - 002

Apron 72 22 - 003
 Apron 72 28 - 003

Knee Space Rails and Panels

Knee Space Rails

Knee space rails are 4.5" high and are available in a variety of standard widths.



- | | |
|----------------|----------------|
| KneeRail 18(w) | KneeRail 54(w) |
| KneeRail 24(w) | KneeRail 60(w) |
| KneeRail 30(w) | KneeRail 66(w) |
| KneeRail 36(w) | KneeRail 72(w) |
| KneeRail 42(w) | KneeRail 84(w) |
| KneeRail 48(w) | KneeRail 96(w) |
| KneeRail 52(w) | |

Knee Space Panels

24" high - for sitting applications with apron

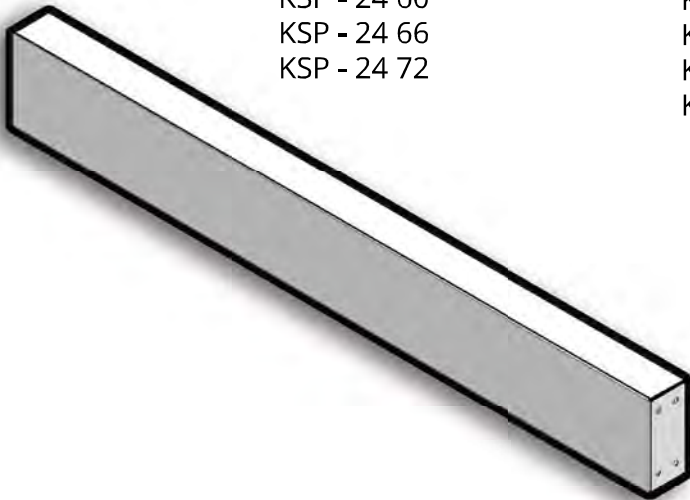
- KSP - 24 24
- KSP - 24 30
- KSP - 24 36
- KSP - 24 42
- KSP - 24 48
- KSP - 24 54
- KSP - 24 60
- KSP - 24 66
- KSP - 24 72

29" high - for standing applications with apron, or sitting without an apron

- KSP - 29 24
- KSP - 29 30
- KSP - 29 36
- KSP - 29 42
- KSP - 29 48
- KSP - 29 54
- KSP - 29 60
- KSP - 29 66
- KSP - 29 72

35" high - for standing applications without an apron

- KSP - 35 24
- KSP - 35 30
- KSP - 35 36
- KSP - 35 42
- KSP - 35 48
- KSP - 35 54
- KSP - 35 60
- KSP - 35 66
- KSP - 35 72



Utility Tables

Utility tables come in standard heights of 29" and 35" and standard depths of 22" and 28".
The numbers after the dash indicate the number of drawers in a unit.

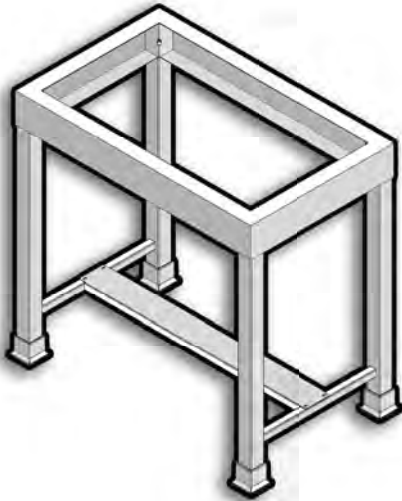


Table29(h)24(w)22(d)-000
Table29(h)30(w)22(d)-000
Table29(h)36(w)22(d)-000
Table29(h)42(w)22(d)-000
Table29(h)48(w)22(d)-000
Table29(h)60(w)22(d)-000
Table29(h)72(w)22(d)-000

Table29(h)24(w)28(d)-000
Table29(h)30(w)28(d)-000
Table29(h)36(w)28(d)-000
Table29(h)42(w)28(d)-000
Table29(h)48(w)28(d)-000
Table29(h)60(w)28(d)-000
Table29(h)72(w)28(d)-000

Table35(h)24(w)22(d)-000
Table35(h)30(w)22(d)-000
Table35(h)36(w)22(d)-000
Table35(h)42(w)22(d)-000
Table35(h)48(w)22(d)-000
Table35(h)60(w)22(d)-000
Table35(h)72(w)22(d)-000

Table35(h)24(w)28(d)-000
Table35(h)30(w)28(d)-000
Table35(h)36(w)28(d)-000
Table35(h)42(w)28(d)-000
Table35(h)48(w)28(d)-000
Table35(h)60(w)28(d)-000
Table35(h)72(w)28(d)-000

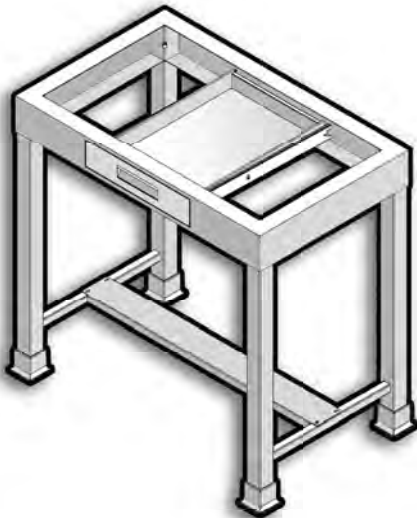


Table29(h)24(w)22(d)-001
Table29(h)30(w)22(d)-001
Table29(h)36(w)22(d)-001
Table29(h)42(w)22(d)-001

Table29(h)24(w)28(d)-001
Table29(h)30(w)28(d)-001
Table29(h)36(w)28(d)-001
Table29(h)42(w)28(d)-001

Table35(h)24(w)22(d)-001
Table35(h)30(w)22(d)-001
Table35(h)36(w)22(d)-001
Table35(h)42(w)22(d)-001

Table35(h)24(w)28(d)-001
Table35(h)30(w)28(d)-001
Table35(h)36(w)28(d)-001
Table35(h)42(w)28(d)-001

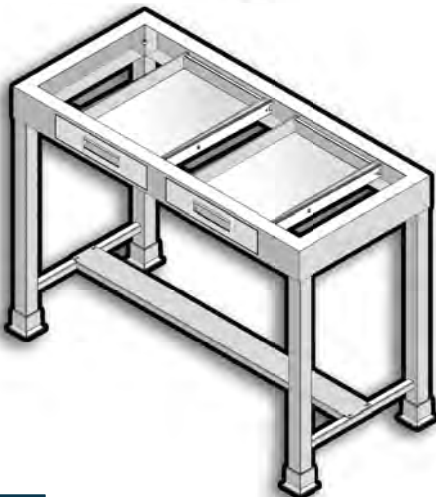


Table29(h)48(w)22(d)-002
Table29(h)60(w)22(d)-002
Table29(h)72(w)22(d)-002

Table29(h)48(w)28(d)-002
Table29(h)60(w)28(d)-002
Table29(h)72(w)28(d)-002

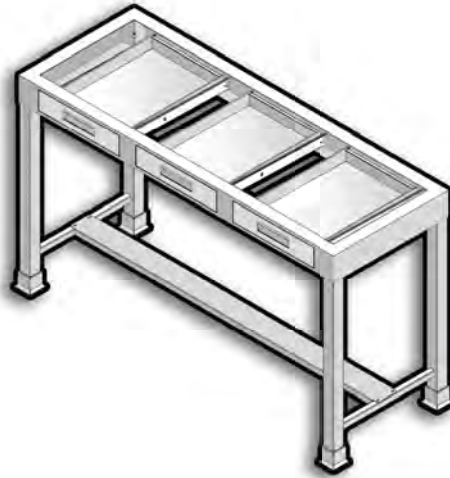
Table35(h)48(w)22(d)-002
Table35(h)60(w)22(d)-002
Table35(h)72(w)22(d)-002

Table35(h)48(w)28(d)-002
Table35(h)60(w)28(d)-002
Table35(h)72(w)28(d)-002

Utility Tables

Table29(h)72(w)22(d)-003
 Table35(h)72(w)22(d)-003

Table29(h)72(w)28(d)-002
 Table35(h)72(w)28(d)-002



Filler Panels

Standard filler panels for base cabinets are 35" high; standard filler panels for floor cases are 84" high. Custom sizes are available.



C - Filler

C- Filler35(h)8(w)
 C- Filler35(h)14(w)



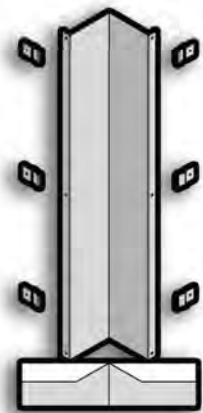
L - Filler

L- Filler35(h)1(w)
 L- Filler35(h)7(w)
 L- Filler35(h)11(w)



C - Front Filler

C-FrontFiller35(h)8(w)
 C-FrontFiller35(h)14(w)



Corner Filler

Corner Filler 35(h)1(w)
 Corner Filler 35(h)7(w)
 Corner Filler 35(h)11(w)



L - Front Filler

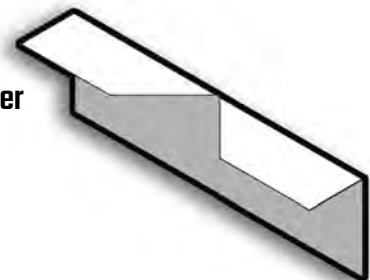
L- Front Filler35(h)18(w)
 L- Front Filler35(h)14(w)



Floor Case Filler

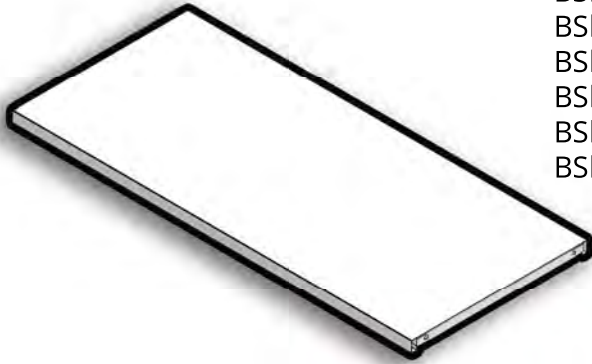
L- Front Filler84(h)2(w)
 L- Front Filler84(h)8(w)

Toe Case Filler
 TS - Filler



Accessories

Additional Shelf (with brackets)



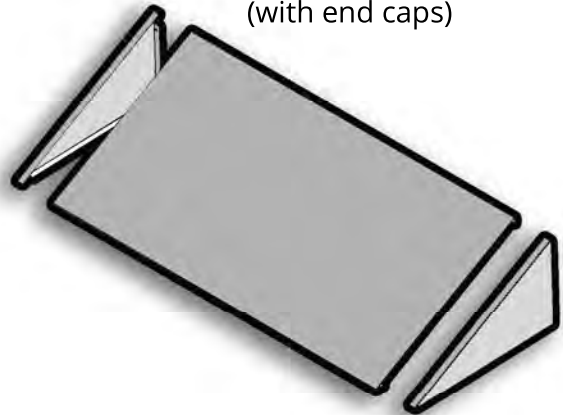
BShelf 15(w)22(d)
 BShelf 18(w)22(d)
 BShelf 21(w)22(d)
 BShelf 24(w)22(d)
 BShelf 30(w)22(d)
 BShelf 36(w)22(d)
 BShelf 42(w)22(d)
 BShelf 48(w)22(d)

WShelf18(w)13(d)
 WShelf24(w)13(d)
 WShelf30(w)13(d)
 WShelf36(w)13(d)
 WShelf42(w)13(d)
 WShelf48(w)13(d)
 WShelf18(w)16(d)
 WShelf24(w)16(d)
 WShelf30(w)16(d)
 WShelf36(w)16(d)
 WShelf42(w)16(d)
 WShelf48(w)16(d)

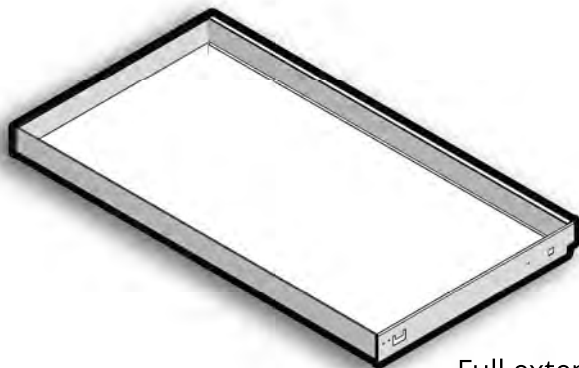
FShelf18(w)16(d)
 FShelf24(w)16(d)
 FShelf30(w)16(d)
 FShelf36(w)16(d)
 FShelf42(w)16(d)
 FShelf48(w)16(d)
 FShelf18(w)21(d)
 FShelf24(w)21(d)
 FShelf30(w)21(d)
 FShelf36(w)21(d)
 FShelf42(w)21(d)
 FShelf48(w)21(d)

Slope Top (with end caps)

S-Top 13(d)18(w)	S-Top 16(d)18(w)	S-Top 21(d)18(w)
S-Top 13(d)24(w)	S-Top 16(d)24(w)	S-Top 21(d)24(w)
S-Top 13(d)30(w)	S-Top 16(d)30(w)	S-Top 21(d)30(w)
S-Top 13(d)36(w)	S-Top 16(d)36(w)	S-Top 21(d)36(w)
S-Top 13(d)42(w)	S-Top 16(d)42(w)	S-Top 21(d)42(w)
S-Top 13(d)48(w)	S-Top 16(d)48(w)	S-Top 21(d)48(w)



Pull-Out Shelf (for base cabinets)

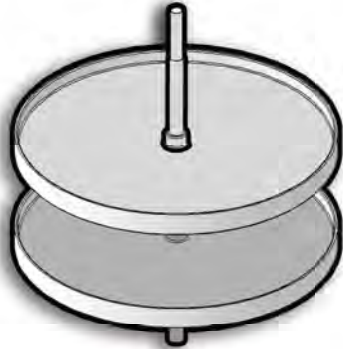


PO-Shelf 15(w)
 PO-Shelf 18(w)
 PO-Shelf 21(w)
 PO-Shelf 24(w)
 PO-Shelf 30(w)
 PO-Shelf 36(w)
 PO-Shelf 42(w)
 PO-Shelf 48(w)

Full extension; ball bearing slides

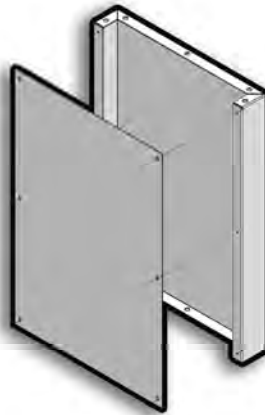
Accessories

Lazy Susan
(For corner base cabinets)



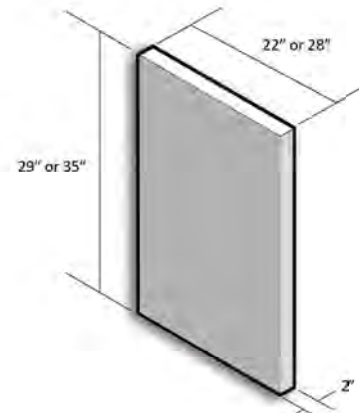
LSusan-29(h)
LSusan-35(h)

Reagent Shelf Upright



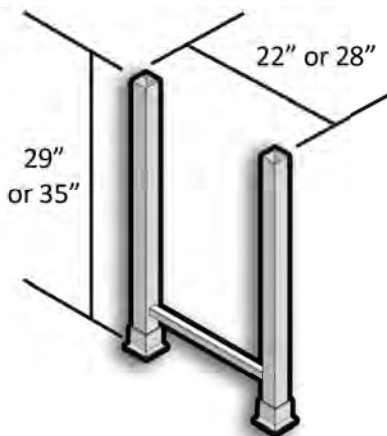
RSUpright18(h)12(d)2(w)
* Special sizes and options available upon request.

End Pedestal



EndPed29(h)02(w)22(d)
EndPed35(h)02(w)22(d)
EndPed29(h)02(w)28(d)
EndPed35(h)02(w)28(d)

Table Legs



Leg 29-22
Leg 35-22

Leg 29-28
Leg 35-28

Single Leg



S Leg 29
S Leg 35

Single Leg (with plate)



S Leg 29P
S Leg 35P

Wall Case Corner Filler*



Specify width ("W") with order
WCCF24-W
WCCF30-W
WCCF36-W
WCCF48-W

Wall Case Front Filler*



Specify width ("W") with order
WCFF24-W
WCFF30-W
WCFF36-W
WCFF48-W

* Wall case corner and front fillers are standard at 13" deep. To order 16"-deep fillers, add the suffix -16(deep) after the product number.

Fume Hoods

At iQ Labs safety is the cornerstone on which we build each and every fume hood. Both our bench-top and floor-mounted fume hoods are tested to the ASHRAE 110 standard and have been proven over time to be of the highest quality and have been designed and manufactured to meet the most stringent safety and operational requirements.

We offer a wide range of models for any application and are also a leader in custom fume hood design and manufacturing. At iQ Labs we offer you the flexibility to design your laboratory space without the constraints of bulky, one-size-fits-all equipment. Attention to detail, premium steel construction, and expert craftsmanship, backed by our industry best warranty and short lead times is what sets us apart from our competition. Contact us today and let us help you with your next laboratory project.



Bench-top Fume Hood Options

Left Hand and Right Hand Post Options

Light Switch
Blower Switch
Blank Cover Plate
Alarm

GFI Duplex
GFI Simplex
Standard Duplex
Standard Simplex

Interior Liner Options

Polyresin (Standard)
Stainless Steel T304
Fixed Baffle (Non Standard)

Alarm and Controller Options

AFA 500 Airflow Monitor
AFA 1000 Airflow Monitor w/Digital Display
AFA 4000/2 VAV Controller
Sash Alarm

Width Options

36"
48"
60"
72"
96"

Plumbing Pre-Piping Options

Copper Pre-pipe Down
Copper Pre-pipe Up
Flex Hose

Cabinet Options

Acid
Flammable
Hood Base
Sink Base

Sash Configuration Options

Vertical Sash (Standard)
Horizontal Sash
Combination Sash
Interlocking Sash (Double Entry Only)

Lighting Options

LED (Standard)
Explosion Proof Light

Additional Options

ADA Front Post Configuration
Ceiling Enclosure
Sash Stops
Corrosion Resistant Hardware



BV Series

The BV series fume hood has been the workhorse of our product offering for several years. With a sturdy 16-gage steel superstructure framework and removable side panels for easy access to plumbing and electrical components, it is one of the strongest and most durable fume hoods on the market. Backed by our industry leading 10-year limited warranty, you can be assured you are getting the best quality hood and a worry-free investment for your next project.

Standard Features

- Poly Resin Liner
- Powder Coat
- Stainless steel sash frame, sash guide, finger pull and airfoil.
- Three piece baffle system.
- High-flow louvered front panel providing linear, non-turbulent transition between face opening and bypass air.
- LED lighting for improved work space visibility.
- Sash pulley system utilizing four 2 1/2"-diameter pulley for one finger sash operation.
- Available in CAV and VAV styles.

Options

- Electrical switches and receptacles. (Explosion-proof lighting and fixtures available).
- Remote-controlled plumbing fixtures, with color-coded outlets.
- Pre-piped flex hosing or hard copper with soldered joints.
- Choice of sashes – vertical rising (standard); top-hung horizontal sliding; combination (vertical /horizontal); interlocking vertical (disappearing post).
- Sash stop.
- Ceiling enclosure.
- Air velocity monitor/alarm.
- Automatic sash closer.
- Counter-tops – epoxy, phenolic, stainless steel.
- Cabinets – complete line of metal laboratory casework, including hood base, acid storage and flammable storage cabinets.
- Blowers – selected to match hood and ductwork configuration, corrosive or ignitable exhaust fumes.



LA Series

The LA-series fume hood offers the maximum in flexibility and performance with its 16-gauge superstructure allowing it to be customized to accommodate a variety of laboratory equipment and procedures. Designed to provide smooth, laminar airflow across the face of the hood, the LA Series ensures a safe working environment for its user. The angled front post design improves airflow giving it the perfect blend of affordability, efficiency, and flexibility for institutional, industrial, or clinical laboratories.

Standard Features

- Poly Resin Liner
- Powder Coat
- Stainless steel sash frame, sash guide, finger pull and airfoil.
- Three piece baffle system.
- High-flow louvered front panel providing linear, non-turbulent transition between face opening and bypass air.
- LED lighting for improved work space visibility.
- Sash pulley system utilizing four 2 1/2"-diameter pulley for one finger sash operation.

Available in CAV and VAV styles.

Options

- Electrical switches and receptacles. (Explosion-proof lighting and fixtures available).
- Remote-controlled plumbing fixtures, with color-coded outlets.
- Pre-piped flex hosing or hard copper with soldered joints.
- Choice of sashes – vertical rising (standard); top-hung horizontal sliding; combination (vertical /horizontal); interlocking vertical (disappearing post).
- Sash stop.
- Ceiling enclosure.
- Air velocity monitor/alarm.
- Automatic sash closer.
- Counter-tops – epoxy, phenolic, stainless steel.
- Cabinets – complete line of metal laboratory casework, including hood base, acid storage and flammable storage cabinets.
- Blowers – selected to match hood and ductwork configuration, corrosive or ignitable exhaust fumes.



Floor Mounted Series

The iQ floor-mounted hood is designed to handle large laboratory equipment with roll-in accessibility and can be customized to the width and depth necessary for your application. The full airfoil design of the LA-series side posts promotes smooth airflow around the sash perimeter while offering several different sash options including fully closing vertical or horizontal hung.

Standard Features

- Welded superstructure for structural rigidity and design flexibility to contain large equipment and conveyances.
- Three-piece baffle system with three adjustable dampers to regulate lighter-than-air and heavier-than-air gases.
- Airfoil around top and sides of sash opening, with electrical fixtures and plumbing controls mounted on bias surface.
- Louvered Bypass.
- Two independent, full-framed, stainless steel vertical sash with integral stainless steel finger pulls.
- Stainless steel sash guides, duct collar.
- Sash/counterweight pulley system utilizing four 2 ½"-diameter pulleys for one-finger sash movement; full-width counterweight featuring "Tilt-Lock" for additional safety and durability.
- LED lighting to improve work space visibility.

Options

- Custom Sizes
- Liner material – choice of nine non-asbestos materials
- Electrical switches and receptacles. Also explosion-proof lighting and fixtures available.
- Remote-controlled plumbing fixtures, with chrome or color-coded outlets. Pre-piped hard copper with soldered joints.
- Choice of sashes – vertical rising (standard); top-hung horizontal sliding; combination (vertical /horizontal)
- Ceiling enclosure
- Air velocity monitor/alarm
- Auxiliary air bonnet – supplements room air by supplying 70% of hood air from outside the building. Requires its own blower and duct.
- Automatic sash closer
- Work surface – cast epoxy, dished or flat
- Blowers – selected to match hood and duct work configuration, corrosive or ignitable exhaust fumes



Open Doors



Closed Doors

Double - Entry Series

The double entry fume hood has two opposing sashes to allow demonstrations from either side of the fume hood. Typical installations are on island casework or in a wall separating the classroom and prep room. The sash counterweights are concealed in either sidewall, or alternatively in one sidewall to provide for a viewing window or plumbing fixtures in the opposing wall. A sash interlock system - preventing both sashes from opening at the same time - comes standard to prevent loss of exhaust airflow.

Standard Features

- 5 widths available
- Poly Resin Liner
- Powder coat
- 16 gauge single piece superstructure design with removable side panels.
- Single top exhaust baffle.
- Wide Post (flat front) side post design can accept up to two electrical and four plumbing fixtures on one post of each sash.
- Sash interlock system.
- Full frame, stainless steel vertical sash with integral stainless steel finger pull.
- Stainless steel sash guides, duct collar.
- Sash/counterweight pulley system utilizing six 2 ½"-diameter pulleys for smooth, dependable operation.
- LED lighting for improved work space visibility.

Options

- Electrical switches and receptacles. (Explosion-proof lighting and fixtures available).
- Remote-controlled plumbing fixtures, with chrome or color-coded outlets.
- Sash stop.
- Ceiling enclosure.
- Air velocity monitor/alarm.
- Counter tops – epoxy, phenolic, stainless steel.
- Cabinets – complete line of metal laboratory casework, including hood base, acid storage and flammable storage cabinets.
- Blowers – selected to match hood and duct work configuration and application.



Radioisotope Series

The iQ Labs radioisotope fume hood is designed for safe and convenient handling of low-level radioactive material. Based on our LA-series superstructure, it features a one-piece Type 304 stainless steel interior with coved corners and integral work surface. Access to plumbing is through exterior access panels only.

Standard Features

- Powder coat
- One-piece, 16-gauge type 304 stainless steel interior curved corners welded to dished, reinforced counter top with integral cupsink, all polished to #4 finish.
- Two-piece stainless steel baffle system with adjustable upper and lower dampers to regulate lighter-than-air and heavier-than-air gases.
- Side post electrical and plumbing knockouts – on bias surface; in standard or ADA configuration.
- Louvers to control bypass air volume.
- Full-frame, stainless steel vertical sash with integral stainless steel finger pull.
- Stainless steel sash guides, lower airfoil, duct collar.
- Sash/counterweight pulley system utilizing four 2 ½"-diameter pulleys for one-finger sash movement; full-width counterweight featuring "Tilt-Lock" for additional safety and durability.
- LED lighting.

Options

- Electrical switches and receptacles.
- Remote-controlled plumbing fixtures, with chrome outlets.
- Sash stop
- Ceiling enclosure
- Air velocity monitor/alarm
- Automatic sash closer
- Cabinets – complete line of metal laboratory casework, including hood base, acid storage and flammable storage cabinets
- Blowers – selected to match hood and duct work configuration, corrosive or ignitable exhaust fumes



Perchloric Series

The iQ Labs perchloric acid fume hood is designed specifically for procedures using perchloric acid. Based on our LA-series superstructure, it features a one-piece, cove-cornered Type 316 stainless steel interior with integral work surface and wash-down system. Regular use of the wash-down system cleanses the hood interior of perchloric salts, which drain into a full-length sloped trough contained in the work surface. Access to plumbing is through exterior access panels only. Due to the extreme reactivity of perchloric acid, this hood should be used FOR PERCHLORIC ACID ONLY.

Standard Features

- One-piece 16-gage Type 316 stainless steel interior – coved corners welded to dished, reinforced countertop with integral cup-sink and full-length sloped trough; all surfaces are polished to #4 finish.
- High-volume wash-down tube with remote control cold water valve.
- Two-piece Type 316 stainless steel baffle system with adjustable upper and lower dampers to regulate lighter and heavier-than-air gases.
- Side post electrical and plumbing knockouts – on bias surface; in standard or ADA configuration.
- Full frame, Type 316 stainless steel vertical sash with integral stainless steel finger pull.
- Type 316 stainless steel sash guides, lower airfoil, duct collar.
- Sash/counterweight pulley system utilizing four 2 ½"-diameter pulleys for one-finger sash movement; full-width counterweight featuring "Tilt-Lock" for additional safety and durability.



Options

- Electrical switches and receptacles
- Remote-controlled plumbing fixtures, with chrome outlets.
- Sash stop
- Ceiling enclosure
- Air velocity monitor/alarm
- Automatic sash closer
- Cabinets – complete line of metal laboratory casework, including hood base, acid storage and flammable storage cabinets
- Blowers – selected to match hood and duct work configuration, corrosive or ignitable exhaust fumes



LABS

On the web: www.iqhoods.com

Sales: sales@iq-laboratory.com

General: info@iq-laboratory.com

Call us: 231.767.1301

Visit us: 6172 Valduga Dr Sw, Ste B, Byron Center, MI 49315



www.linkedin.com/company/iq-laboratory



www.facebook.com/iqlabequipment



twitter.com/iqlabsequipment



www.instagram.com/iq_laboratory/

