

Based on the LA benchtop design, the iQ Labs Radioisotope series fume hood is constructed with a 304 stainless steel interior, stainless steel baffle and sash providing optimal corrosion resistance. Using it's single piece liner with covered corners this hood is perfect for nuclear pharmacy, radiopharmaceutical and radiochemistry applications keeping decontamination simple. Offered in both benchtop and floor-mounted designs.

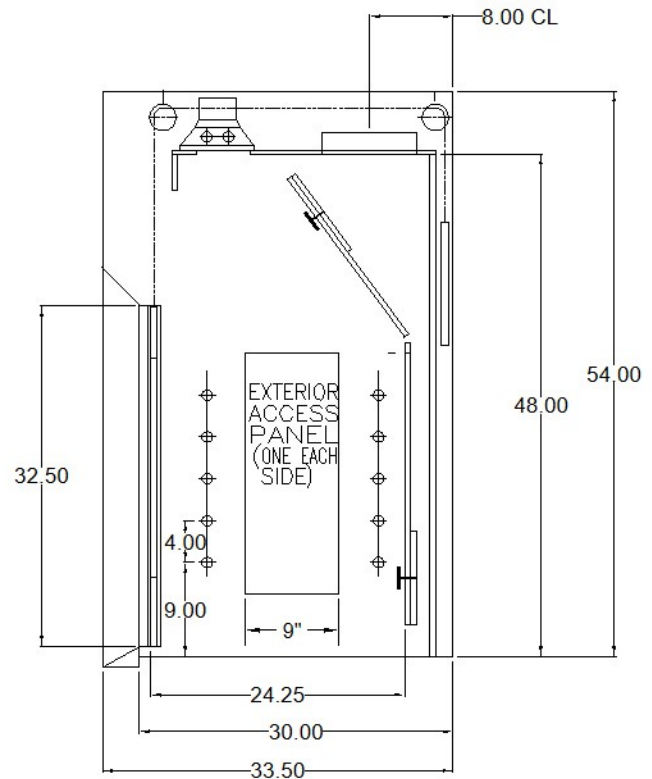


## PERFORMANCE AND AFFORDABILITY - WITHOUT COMPROMISE

- 16g galvanized superstructure framework
- 304 single-piece stainless steel interior
- Stainless steel sash frame, airfoil and guides
- Exterior access panels
- Angled posts for smooth airflow transition
- Three-piece baffle system with dampers
- LED lighting for improved visibility
- Chemical resistant powder coat finish
- Removable side panels
- ASHRAE-110 tested and approved

## OPTIONAL EQUIPMENT

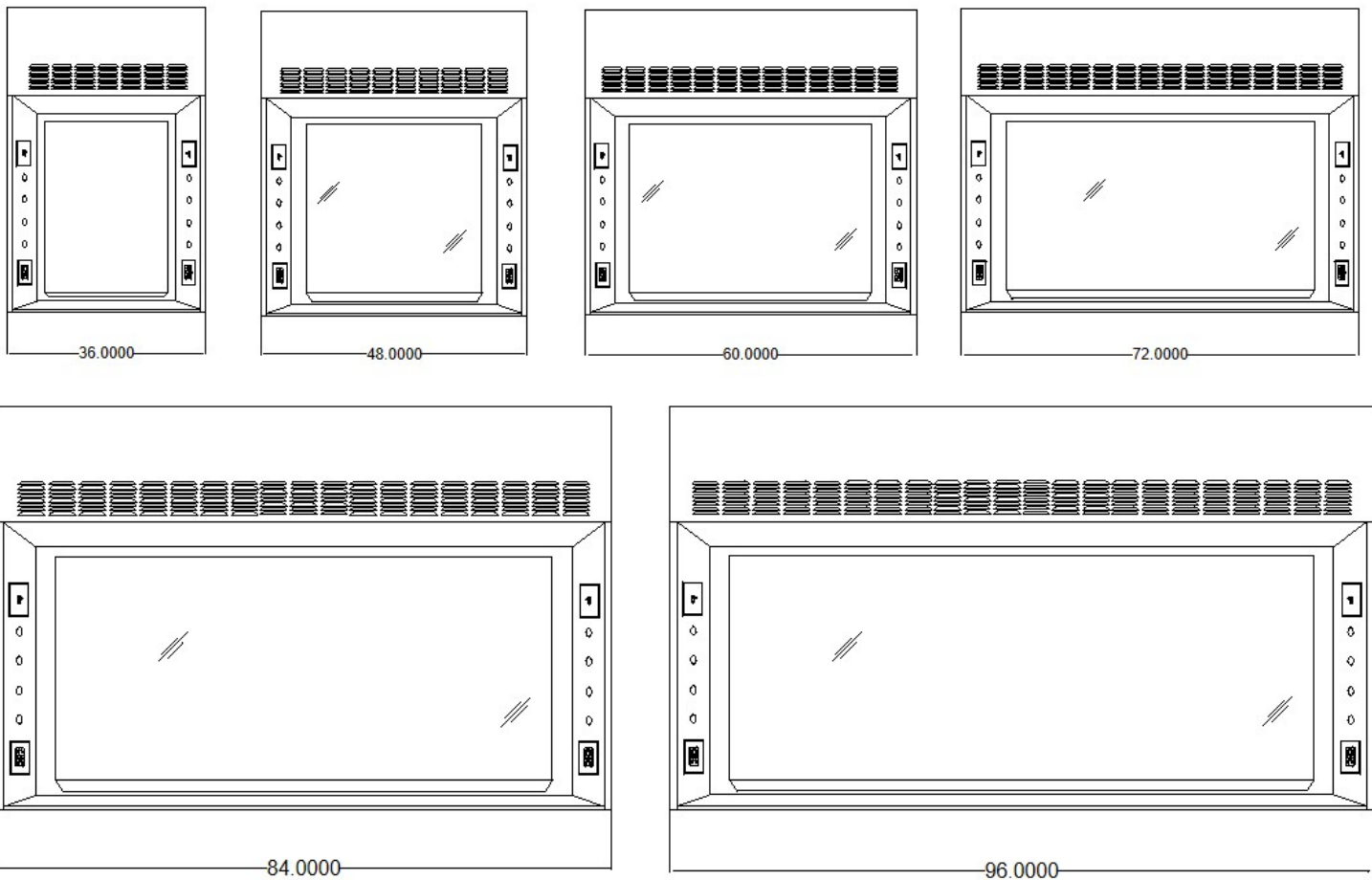
- Remote -controlled plumbing fixtures with chrome handles, pre-piped with flex hose or hard copper
- Multiple sash options - vertical rising (standard), horizontal, combination, interlocking vertical (disappearing post)
- Sash Stops
- Air Monitor/Alarm
- Ceiling Enclosure
- Countertops
- Base Cabinet
- Blower



The Radioisotope Series is offered in sizes ranging from 36" up to 96" and can be customized with increased depth or height to fit the specific application. Featuring the flush-wall design and recessed counter-weight, the hood can be positioned directly against any back wall of your lab helping maximize space savings.

PART NUMBER	DIMENSIONS			WORKSURFACE			HOOD OPENING		CFM @ 18"*	CFM @ 30"*	HOOD WEIGHT
	W	H	D	W	H	D	W	H			
LARIO3654	36"	54"	33.5"	36"	1.25"	30"	28"	30"	350	583	410
LARIO4854	48"	54"	33.5"	48"	1.25"	30"	40"	30"	500	833	475
LARIO6054	60"	54"	33.5"	60"	1.25"	30"	52"	30"	650	1083	537
LARIO7254	72"	54"	33.5"	72"	1.25"	30"	64"	30"	800	1333	587
LARIO8454	84"	54"	33.5"	84"	1.25"	30"	76"	30"	950	1583	615
LARIO9654	96"	54"	33.5"	96"	1.25"	30"	88"	30"	1100	1833	652

\*CFM calculated using 100 fpm



STANDARD COLOR OPTIONS (CUSTOM COLOR-MATCH AVAILABLE)

