

Our Double-Entry fume hood is the ideal hood for the education space, allowing visibility and entry from two sides while providing security through an interlocking sash system. Removable side panels and two interior access panels make our Double-Entry hood easy to install and maintain. A full-suite of plumbing and electrical options are available including the option for a side-panel viewing window and several post options. Built using our 16ga superstructure system, stainless steel sash frame and guides this hood comes with the quality and durability expected from an iQ Labs product.

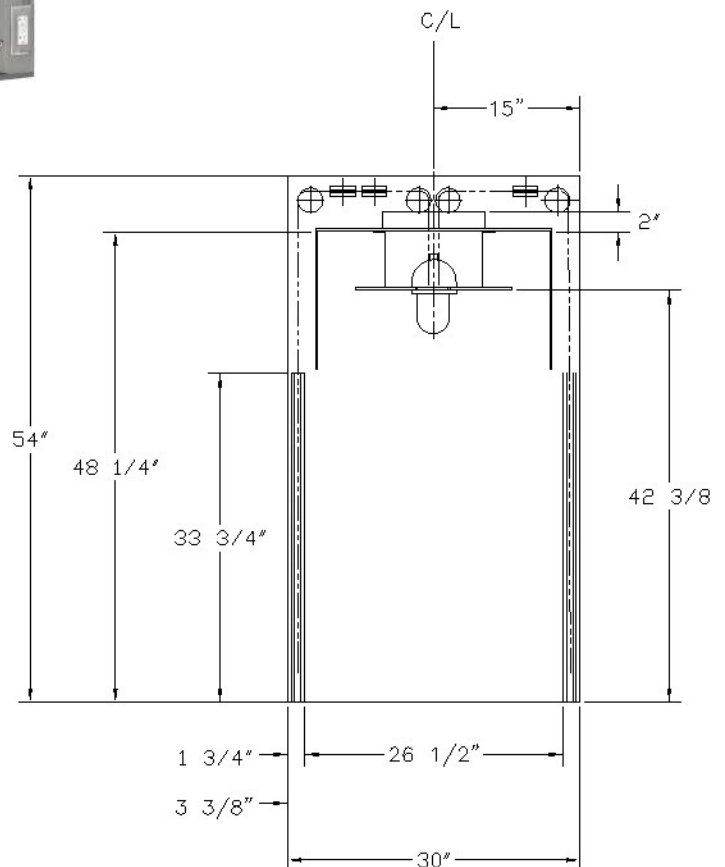


PERFORMANCE AND AFFORDABILITY - WITHOUT COMPROMISE

- 16g galvanized superstructure framework
- Stainless steel sash frame, airfoil and guides
- Vapor-proof lighting
- Chemical resistant poly resin liner
- Chemical resistant powder coat finish
- Removable side panels
- Interlocking safety sashes
- ASHRAE-110 tested and approved

OPTIONAL EQUIPMENT

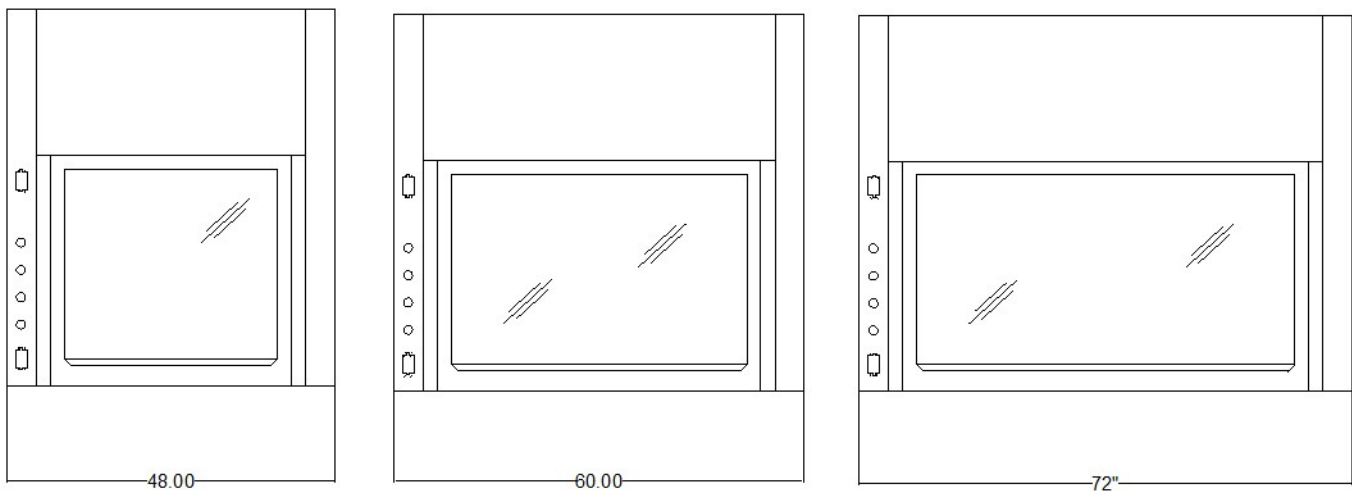
- Remote -controlled plumbing fixtures with chrome handles, pre-piped with flex hose or hard copper
- Side panel viewing window (not pictured)
- Sash Stops
- Air Monitor/Alarm
- Ceiling Enclosure
- Countertops
- Base Cabinet
- Blower



The Double-Entry hood is offered in sizes ranging from 48" up to 72" and can be customized to fit the specific application. Best suited for installation on island cabinets, these hoods have a depth of 30" and will fit on a standard fume hood deck.

PART NUMBER	DIMENSIONS			WORKSURFACE			HOOD OPENING		CFM @ 18"*	CFM @ 30"*	HOOD WEIGHT
	W	H	D	W	H	D	W	H			
WPDU4854	48"	54"	30"	48"	1.25"	30"	40"	30"	500	833	413
WPDU6054	60"	54"	30"	60"	1.25"	30"	52"	30"	650	1083	431
WPDU7254	72"	54"	30"	72"	1.25"	30"	64"	30"	800	1333	550

*CFM calculated using 100 fpm



STANDARD COLOR OPTIONS (CUSTOM COLOR-MATCH AVAILABLE)

